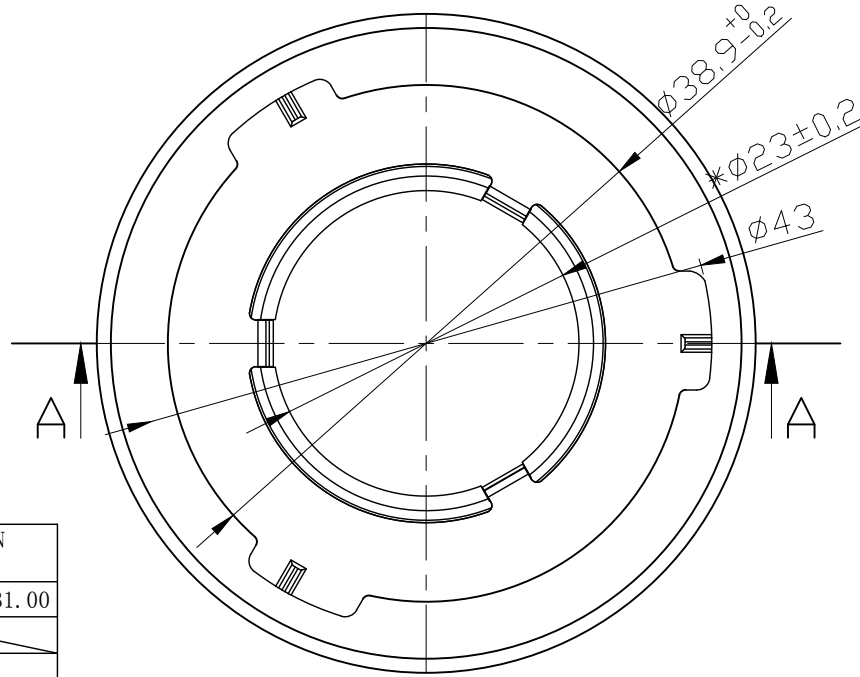
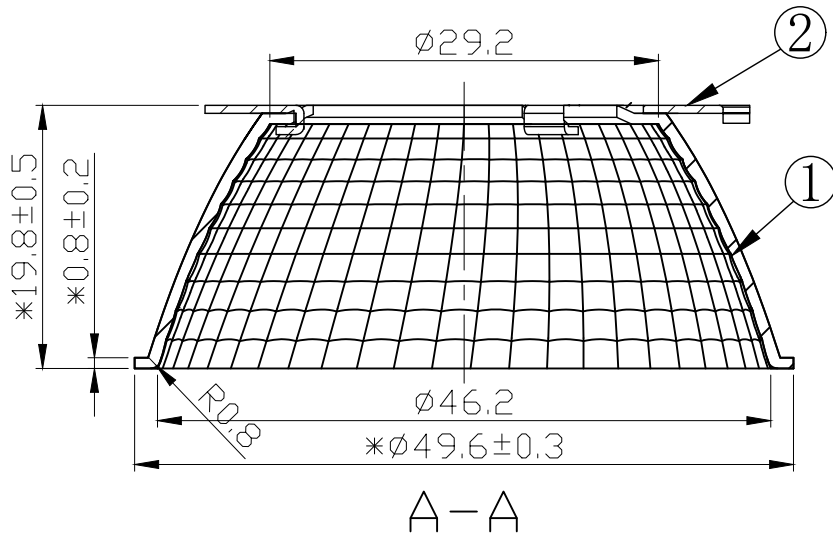


DIMENSION TOLERANCE TABLE (UNLESS OTHERWISE STATED) (MM)				PUNCH TOLERANCE TABLE (UNLESS OTHERWISE STATED) (ANGLE)		
> 0-5	> 5-30	> 30-90	> 90-150	0-10	10-50	50-120
±0.15	±0.2	±0.4	±0.5	±1°	±0.5°	±0.3°
> 150-250	> 250-400	> 400-700		120-250	250-360	
±0.8	±1.5	±2		±0.2°	±0.166°	
*** KEY CONTROL DIMENSION						



Light Source	CITIZEN CLU038
PlasticHolder	92.70.131.00
Metal Adaptar	
Design Angle	
Measured Angle	51.2°

产品物料清单					
序号	物料名称	物料编号	数量	页数	规格描述
①	1638-A	94.01.0638.000	1	2	材料:AL 0.8AA
②	D43卡扣	97.76.368.00	1	3	材料:0.6不锈钢

Technical requirements:
 1. Material: t=0.8mm 1090AL.
 2. Surface treatment: standard light.
 3. Product tolerance reference tolerance table.

				P/N: 91.01.1341.000		版本/REV
				产品名称 PRODUCT NAME		1-1341-M
				客户代号 CUSTOMER ID		NT
				客户编号 CUSTOMER CODE		AR-D50-45°
1	更改内容 MODIFICATIONS	签名 SIGNED BY	更改日期 MODIF. DATE			
DESIGNER	DRAWN BY	比例 SCALE	1:1			
TECHNICIAN	CHECKED BY	视角 1/4 ANGLE PROJECTION				
APPROVED BY	日期 DATE(DD-MM-YYYY)	页数 PAGE	SHEET 1 OF 1	ENGINEERING DRAWING		
				Nata®		