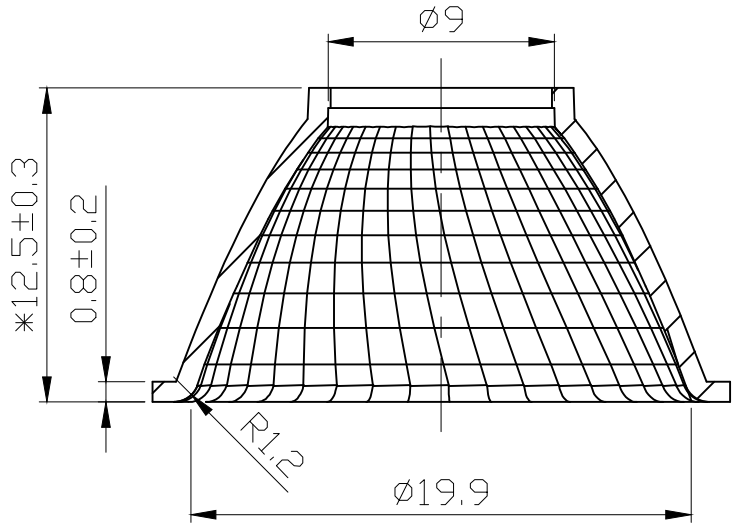
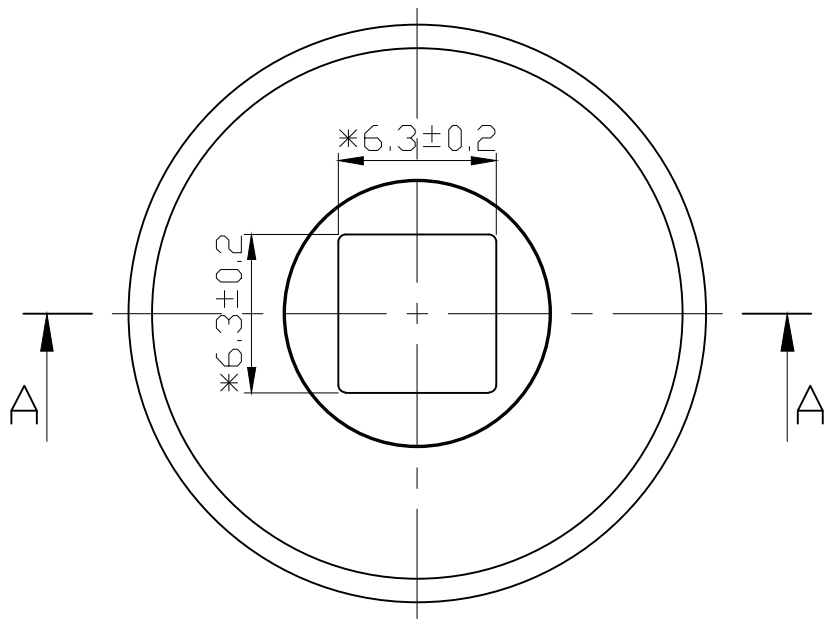


table for unmentioned tolerance in the drawing (unit: mm)				punch angle tolerance in the drawing (unit:degree)		
> 0-5	> 5-30	> 30-90	> 90-150	0-10	10-50	50-120
±0.15	±0.2	±0.4	±0.5	±1°	±0.5°	±0.3°
> 150-250	> 250-400	> 400-700		120-250	250-360	360 above
±0.8	±1.5	±2		±0.2°	±0.166°	±0.085°

“*” Marked for key control dimensions



A-A



Light Source	BOLB S6060-DR250 -W275-P100 -V6.5
PlasticHolder	
Metal Adaptar	
Design Angle	11° ±3°
Measured Angle	
Efficiency	
光学装配示意图	

Technical requirements:
 1. Material: t=0.8mm 1090AL.
 2. Surface treatment: standard light.
 3. Product untolerance reference untolerance table.

				P/N: 91.01.1239.001		版本/REV KO	
				产品名称 Product Name		1-1239-A2	
				客户代号 Customer Code		NT	
				客户编号 Customer Item		D23 UVC反光杯11° (方形孔)	
标记 Mark	处数 Amended Times	更改内容 Amended Content		签名 Signature	更改日期 Amended Date		
设计 Designer		制图 Drawing by		比例 Proportion	1:1		
工艺 Technology		审核 Auditor		视角 View		图档路径 The path of file	
批准 Approval		日期 Date	2022.05.31	页数 Page	共1页 第1页		