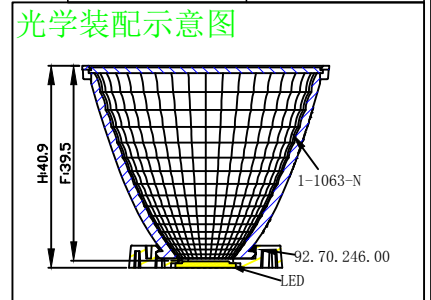


Light Source	LUMINUS CXM-9-AC40
PlasticHolder	92.70.246.00
Metal Adaptor	
Design Angle	45° ±5°
Measured Angle	43.6°
Efficiency	



技术要求:

1. 材质:PC。
2. 未注圆角与拔模斜度依照3D。
3. 产品未注公差参考GB/T14486-2008未注公差标准MT5。

产品物料清单

序号	物料名称	物料编码	数量	材料
①	1-1059-S	94.01.1059.000	1	PC
②	PC防尘片 D47.4*H1.2	97.70.158.00	1	PC

					Engineering drawings		Nata <sup>®</sup>	
Mark	Amended Times	Amended Content		Signature	Amended Date		Customer Item	
Control Version	A0	Design Version	K0	Client Version			Customer Code	
Designer	Drawing by		Proportion	1:1		Product Number		91.01.1063.000
Technology	Auditor		View			Product Name		1-1063-N
Approval	Date	2020.09.08	Page	Total Page				