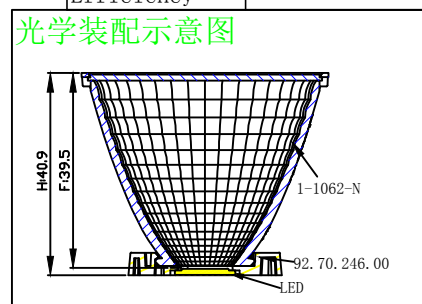


| | |
|----------------|-----------------------|
| Light Source | LUMINUS CXM-9-AC40 |
| PlasticHolder | 92.70.246.00 |
| Metal Adaptor | _____ |
| Design Angle | 36° ±3° |
| Measured Angle | 37.2° |
| Efficiency | _____ |



- 技术要求:
1. 材质:PC。
 2. 未注圆角与拔模斜度依照3D。
 3. 产品未注公差参考GB/T14486-2008未注公差标准MT5。

| 序号 | 物料名称 | 物料编码 | 数量 | 材料 |
|----|------------------|----------------|----|----|
| ① | 1-1058-S | 94.01.1058.000 | 1 | PC |
| ② | PC防尘片 D47.4*H1.2 | 97.70.158.00 | 1 | PC |

| | | | | | | | | |
|-----------------|---------------|-----------------|------------|----------------|----------------------|--|----------------|--|
| | | | | | Engineering drawings | | | |
| | | | | | | | | |
| Mark | Amended Times | Amended Content | | Signature | Amended Date | | Customer Item | |
| Control Version | A0 | Design Version | K0 | Client Version | | | Customer Code | |
| Designer | | Drawing by | | Proportion | 1:1 | | Product Number | |
| Technology | | Auditor | | View | | | Product Name | |
| Approval | | Date | 2020.09.08 | Page | Total Page | | 91.01.1062.000 | |
| | | | | | | | 1-1062-N | |