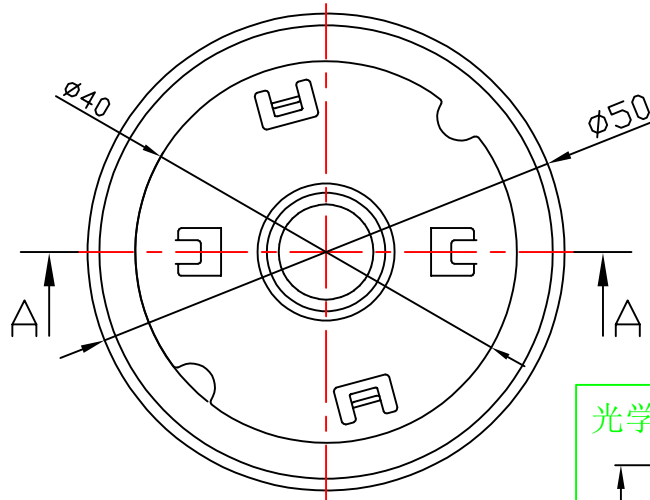
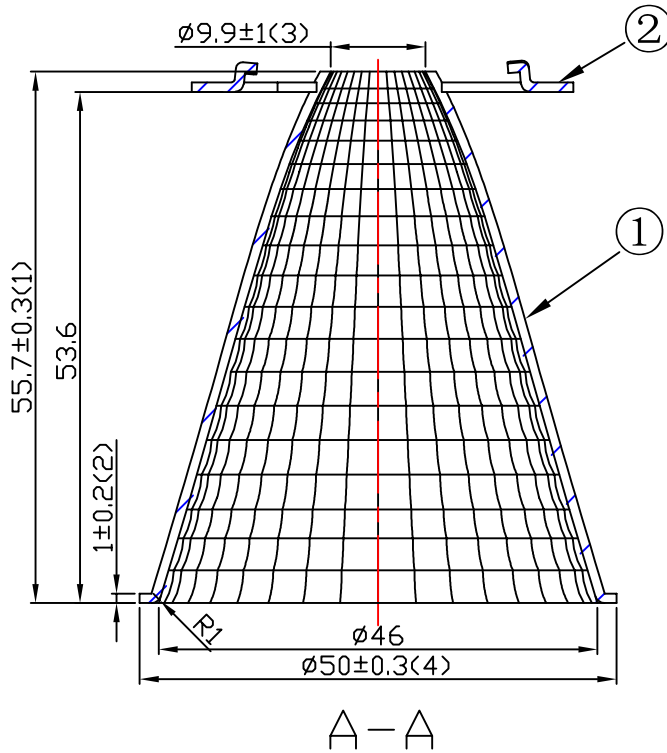


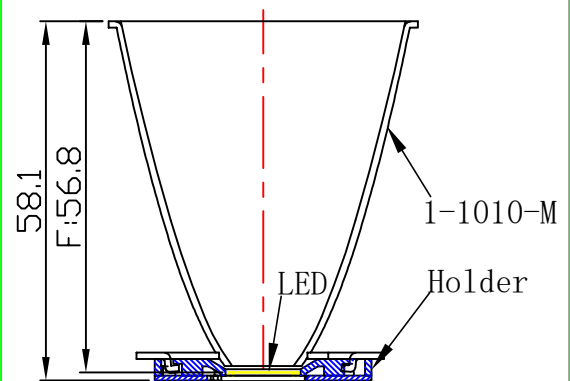
| Product bill of material | | | | |
|--------------------------|-------------------------|-------------------|-----|---------------------------|
| Serial number | material name | Masterial number | NO. | Describe |
| ① | 1-0959-H | 94. 01. 0959. 000 | 1 | Material:T=1.0mm 1090AL |
| ② | D40xD13.2 Metal Adapter | 97. 76. 774. 03 | 1 | Material:T=1.0mm 1060 H22 |

| table for unmentioned tolerance in the drawing (unit: mm) | | | punch angle tolerance in the drawing (unit:degree) | | |
|---|---------|---------|--|---------|----------|
| 0-5 | 5-30 | 30-120 | 0-10 | 10-50 | 50-120 |
| ±0.15 | ±0.2 | ±0.5 | ±1° | ±0.5° | ±0.3° |
| 120-250 | 250-400 | 400-700 | 120-250 | 250-360 | 360 abov |
| ±0.8 | ±1.5 | ±2 | ±0.2° | ±0.166° | ±0.083° |



| | |
|----------------------|-------------------|
| Light Source | CITIZEN CLU028 |
| PlasticHolder | BJB 47. 360. 1020 |
| Design requirementgt | 34° ±3° |
| Measured result | 33.9° |

光学装配示意图



| Mark | Amended Times | Amended Content | | Signature | Amended Date |
|------------------|---------------|-----------------|--------------|----------------|--------------|
| Controll Version | AO | Design Version | K0 | Client Version | |
| Designer | | Drawing by | | Proportion | 1:1 |
| Technology | | Auditor | | View | |
| Approval | | Date | 2019. 10. 18 | Page | Total_ Page_ |

Nata[®]
NATA Lighting Co.,Ltd

| | |
|----------------|----------------------|
| Customer Item | D50深筒G2 BJB系列 34D |
| Customer Code | NT |
| Product Number | 91. 01. 1010. 000 |
| Product Name | 1-1010-M |