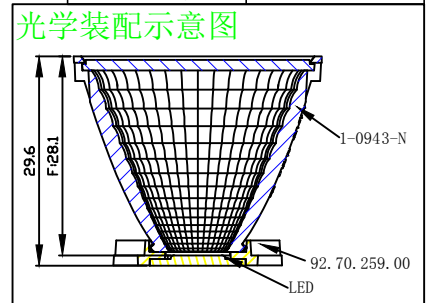


Light Source	LUMINUS CXM-6-AC00
Plastic Holder	92.70.259.00
Metal Adapter	
Design Angle	45° ±3°
Measured Angle	44°
Efficiency	



技术要求:

1. 材质:PC。
2. 未注圆角与拔模斜度依照3D。
3. 产品未注公差参考GB/T14486-2008未注公差标准MT5。

产品物料清单

序号	物料名称	物料编码	数量	材料
①	1-0974-S	94.01.0974.000	1	PC
②	D35反光杯镜片 D32.7*H1.5	97.70.247.00	1	PC

					Engineering drawings		Nata [®]	
Mark	Amended Times	Amended Content		Signature	Amended Date	Customer Item		
Control Version	A0	Design Version	K0	Client Version		Customer Code		NT
Designer		Drawing by		Proportion	1:1	Product Number		91.01.0943.000
Technology		Auditor		View		Product Name		1-0943-N
Approval		Date	2020.09.08	Page	Total Page			