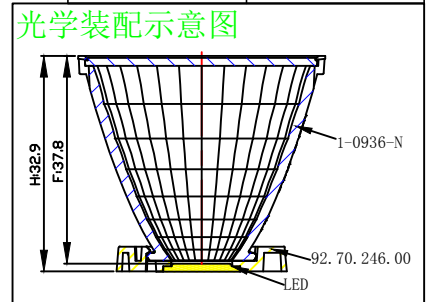


Light Source	LUMINUS CXM-9-AC40
PlasticHolder	92. 70. 246. 00
Metal Adaptor	
Design Angle	24° ±3°
Measured Angle	23. 5°
Efficiency	



技术要求:

1. 材质:PC。
2. 未注圆角与拔模斜度依照3D。
3. 产品未注公差参考GB/T14486-2008未注公差标准MT5。

产品物料清单

序号	物料名称	物料编码	数量	材料
①	1-0967-S	94. 01. 0967. 000	1	PC
②	D45反光杯镜片 D42. 5*H1. 5	97. 70. 245. 00	1	PC

					Engineering drawings		Nata [®]	
Mark	Amended Times	Amended Content		Signature	Amended Date		Customer Item	
Control Version	A0	Design Version	K0	Client Version			Customer Code NT	
Designer		Drawing by		Proportion	1:1		Product Number 91. 01. 0936. 000	
Technology		Auditor		View			Product Name 1-0936-N	
Approval		Date	2020. 09. 08	Page	Total_ Page_			