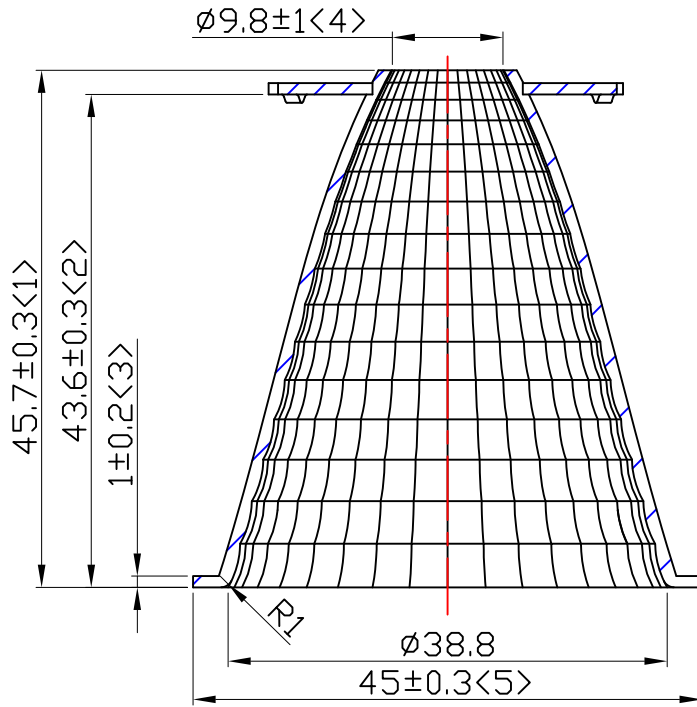
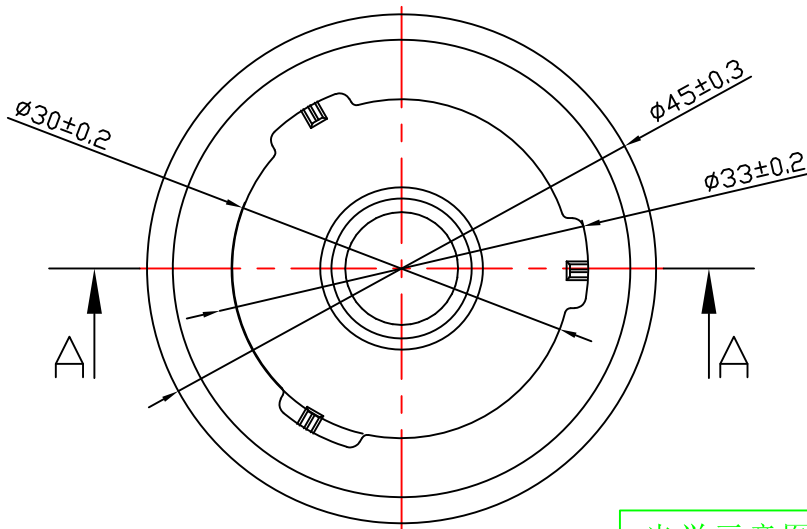


| Table for unmentioned tolerance in the drawing (unit: mm) | | | punch angle tolerance in the drawing (unit: degree) | | |
|---|---------|---------|---|---------|-----------|
| 0-5 | 5-30 | 30-120 | 0-10 | 10-50 | 50-120 |
| ±0.15 | ±0.2 | ±0.5 | ±1° | ±0.5° | ±0.3° |
| 120-250 | 250-400 | 400-700 | 120-250 | 250-360 | 360 above |
| ±0.8 | ±1.5 | ±2 | ±0.2° | ±0.166° | ±0.083° |

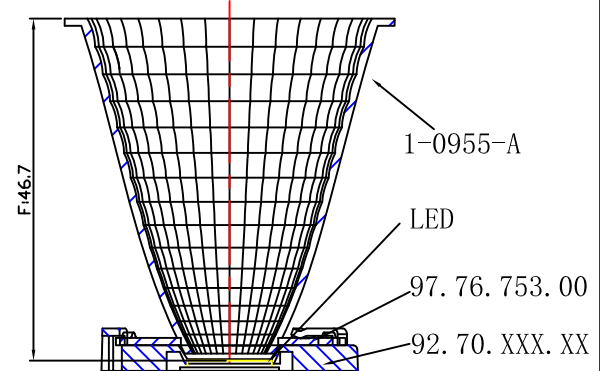


A-A



| | |
|----------------|-------------------|
| Light Source | CITIZEN CLU028 |
| Plastic Holder | 92.70.124.00 |
| Metal Adapter | 97.76.753.00 |
| Design Angle | 35° ±3° |
| Measured Angle | 34.2° |
| Efficiency | |

光学示意图



Material: 1.0 1090AL

Nata[®]
NATA Lighting Co., Ltd

| Mark | Amended Times | Amended Content | | Signature | Amended Date |
|-----------------|---------------|-----------------|------------|----------------|--------------|
| Control Version | A0 | Design Version | K2 | Client Version | |
| Designer | | Drawing by | | Proportion | 1:1 |
| Technology | | Auditor | | View | |
| Approval | | Date | 2019.08.27 | Page | Total_ Page_ |

| | |
|----------------|----------------|
| Customer Item | D45深筒反光杯36° |
| Customer Code | NT |
| Product Number | 91.01.0920.000 |
| Product Name | 1-0920-M |