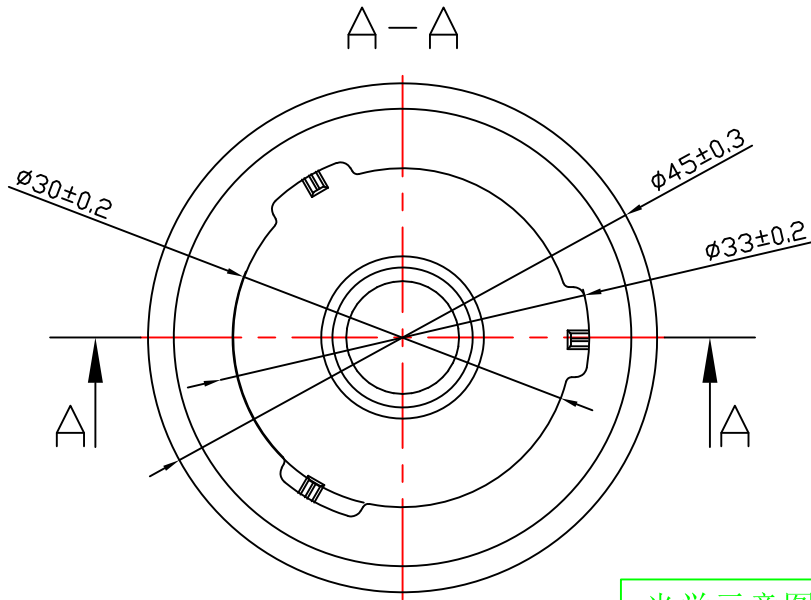
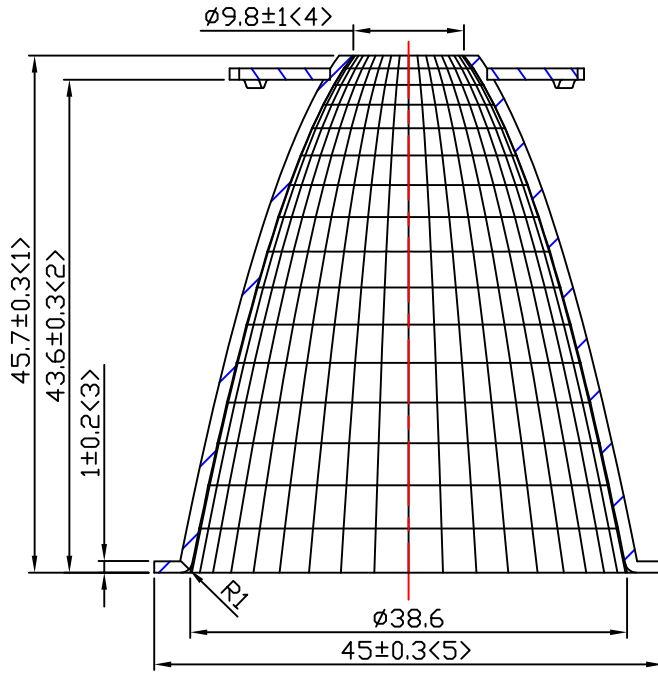
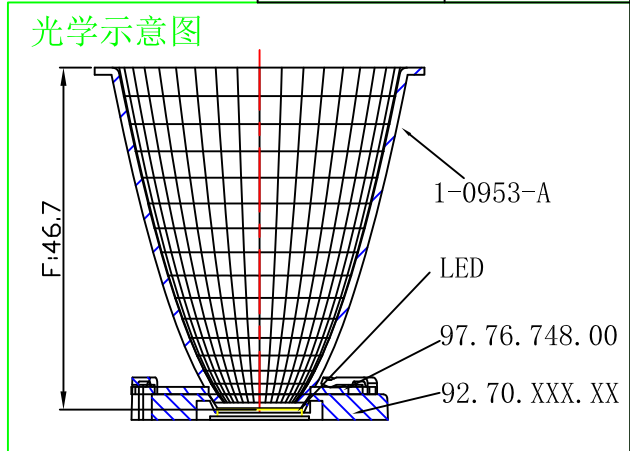


| table for unmentioned tolerance in the drawing (unit: mm) |         |         | punch angle tolerance in the drawing (unit:degree) |         |           |
|---|---------|---------|--|---------|-----------|
| 0-5   | 5-30    | 30-120  | 0-10   | 10-50   | 50-120    |
| ±0.15   | ±0.2    | ±0.5    | ±1°  | ±0.5°   | ±0.3°     |
| 120-250   | 250-400 | 400-700 | 120-250  | 250-360 | 360 above |
| ±0.8  | ±1.5    | ±2      | ±0.2°  | ±0.166° | ±0.083°   |



|                |                   |
|----------------|-------------------|
| Light Source   | CITIZEN<br>CLU028 |
| PlasticHolder  | 92.70.124.00      |
| Metal Adaptor  | 97.76.748.00      |
| Design Angle   | 16° ±3°           |
| Measured Angle | 17.8°             |
| Efficiency     |                   |



|                 |               |                 |            |                |                     |                |  |  |
|-----------------|---------------|-----------------|------------|----------------|---------------------|----------------|--|--|
|                 |               |                 |            |                | Material:1.0 1090AL |                | <b>Nata</b> <sup>®</sup><br><b>NATA Lighting Co.,Ltd</b> |  |
| Mark            | Amended Times | Amended Content |            | Signature      | Amended Date        | Customer Item  | D45深筒反光杯16°  |  |
| Control Version | A0            | Design Version  | K0         | Client Version |                     | Customer Code  | NT   |  |
| Designer        |               | Drawing by      |            | Proportion     | 1:1                 | Product Number | 91.01.0918.000   |  |
| Technology      |               | Auditor         |            | View           |                     | Product Name   | 1-0918-M   |  |
| Approval        |               | Date            | 2019.07.25 | Page           | Total_ Page_        |                |  |  |