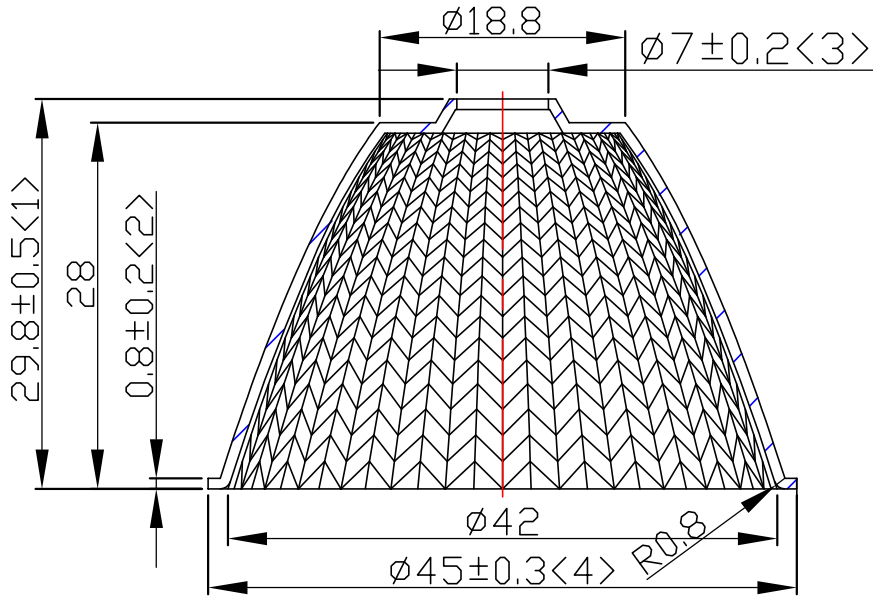
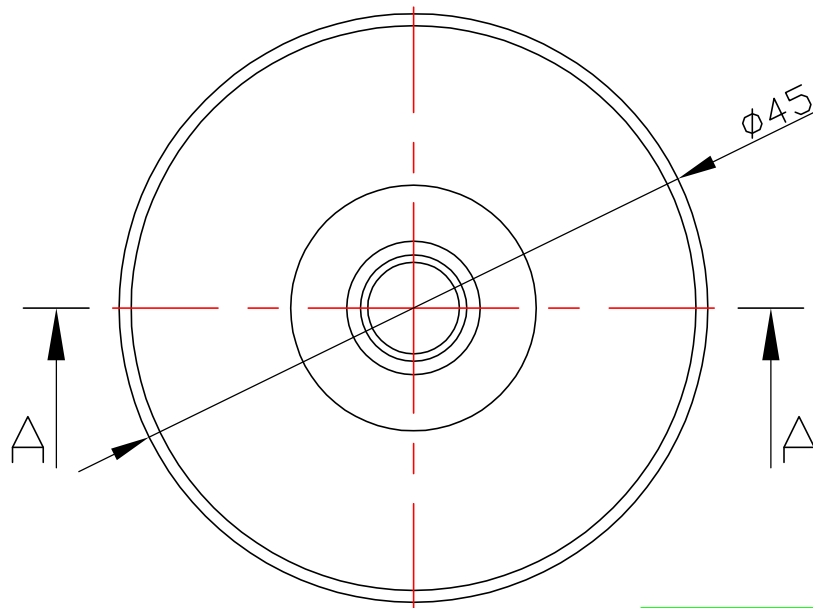


| table for unmentioned tolerance in the drawing (unit: mm) | | | punch angle tolerance in the drawing (unit: degree) | | |
|---|---------|---------|---|---------|-----------|
| 0-5 | 5-30 | 30-120 | 0-10 | 10-50 | 50-120 |
| ±0.15 | ±0.2 | ±0.5 | ±1° | ±0.5° | ±0.3° |
| 120-250 | 250-400 | 400-700 | 120-250 | 250-360 | 360 above |
| ±0.8 | ±1.5 | ±2 | ±0.2° | ±0.166° | ±0.083° |

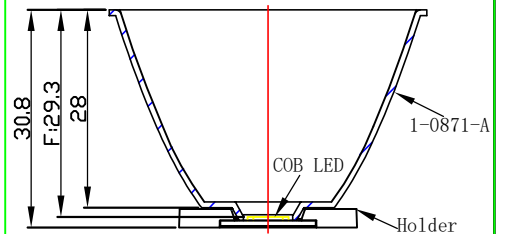


A-A



| | |
|----------------|-------------------|
| Light Source | CITIZEN CLU7A2 |
| Plastic Holder | 92.70.043.00 |
| Metal Adapter | |
| Design Angle | 8° ± 2° |
| Measured Angle | 8.4° |
| Efficiency | |

光学装配示意图



| | | | | | | | | |
|------------------|---------------|-----------------|------------|----------------|------------------------|----------------|---|--|
| | | | | | Material: T=0.8 1090AL | | Nata [®] NATA Lighting Co., Ltd | |
| Mark | Amended Times | Amended Content | | Signature | Amended Date | Customer Item | | |
| Controll Version | A0 | Design Version | K0 | Client Version | | Customer Code | NT | |
| Designer | | Drawing by | | Proportion | 1:1 | Product Number | | |
| Technology | | Auditor | | View | | Product Name | 1-0871-A | |
| Approval | | Date | 2018.12.20 | Page | Total Page | | | |