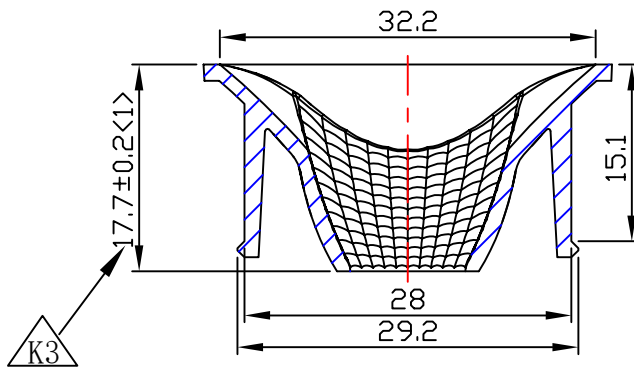
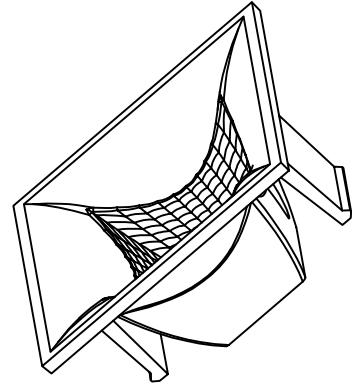
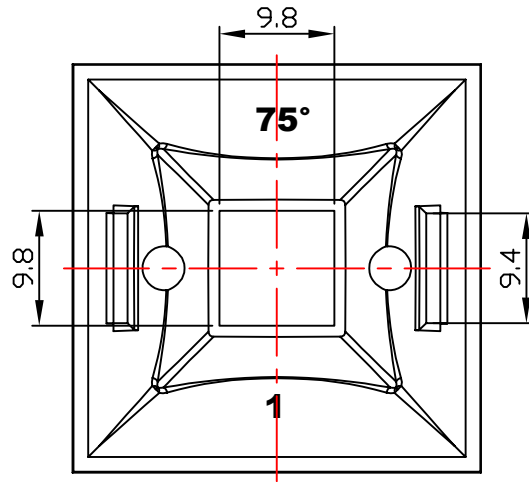
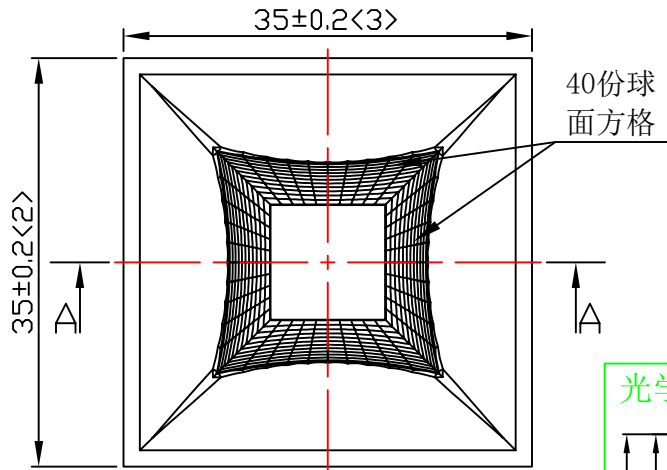


table for unmentioned tolerance in the drawing
(unit: mm)

0-5	5-30	30-120	120-250	250-400	400-700
±0.15	±0.2	±0.5	±0.8	±1.5	±2

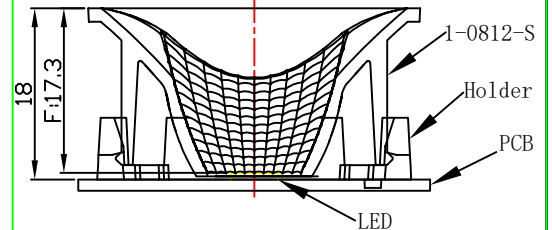


A-A



Light Source	LUMILEDS LUXEON 5050
PlasticHolder	92.70.208.00
Metal Adapter	
Design Angle	75° ±5°
Measured Angle	72.5°
Efficiency	

光学装配示意图



Material:PC

Nata[®]
NATA Lighting Co.,Ltd

△K3	1	修改产品高度尺寸,底部减胶0.3mm		Signature	Amended Date
Mark	Amended Times	Amended Content		Client Version	
Control Version	A0	Design Version	K3	Proportion	1:1
Designer		Drawing by		View	
Technology		Auditor		Page	Total Page
Approval		Date	2019.08.30		

Customer Item	
Customer Code	NT
Product Number	
Product Name	1-0812-S