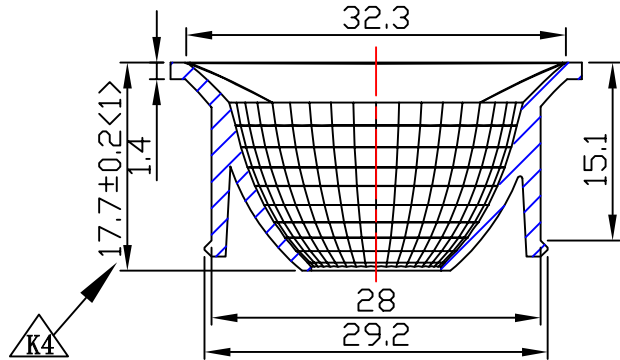
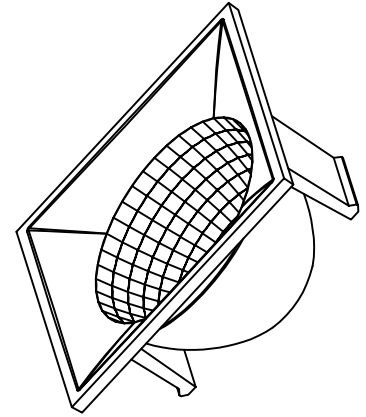
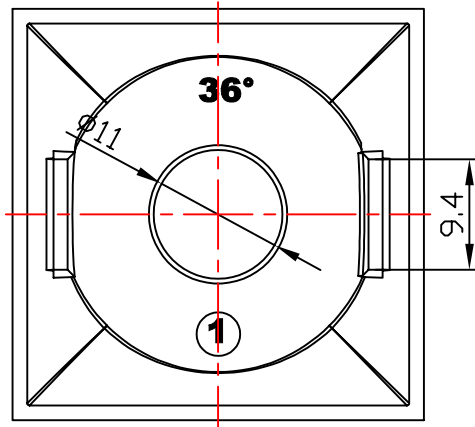
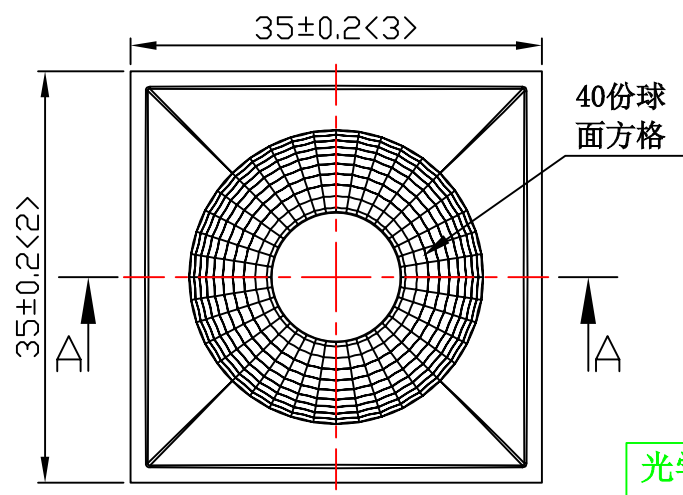


table for unmentioned tolerance in the drawing (unit: mm)

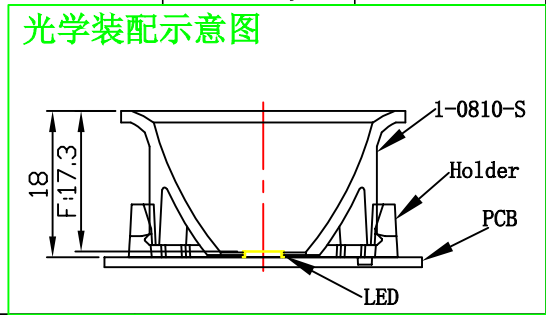
0-5	5-30	30-120	120-250	250-400	400-70
±0.15	±0.2	±0.5	±0.8	±1.5	±2



A-A



Light Source	LUMILEDS LUXEON 5050
PlasticHolder	92.70.208.00
Metal Adaptor	
Design Angle	36° ±3°
Measured Angle	36.6°
Efficiency	



						Material:PC		 NATA Lighting Co.,Ltd	
								Customer Item	
								Customer Code	
								Product Number	
								Product Name	
								1-0810-S	
 1 Amended Times	修改产品高度尺寸, 底部减胶0.3mm			Signature	Amended Date				
Controll Version	AO	Design Version	K4	Client Version	1:1				
Designer	Drawing by		Proportion						
Technology	Auditor		View						
Approval	Date	2019.08.30	Page	Total Page					