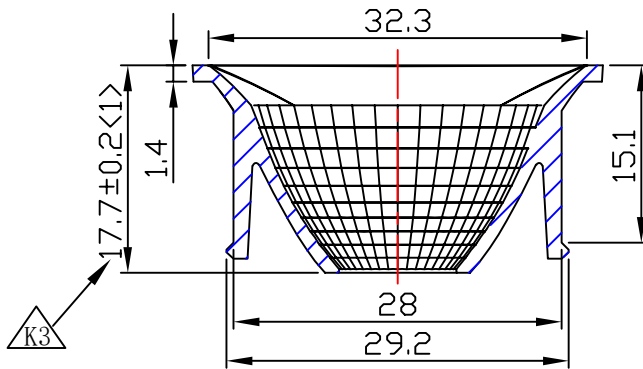
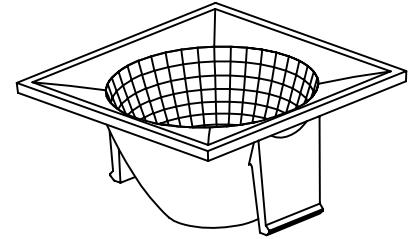
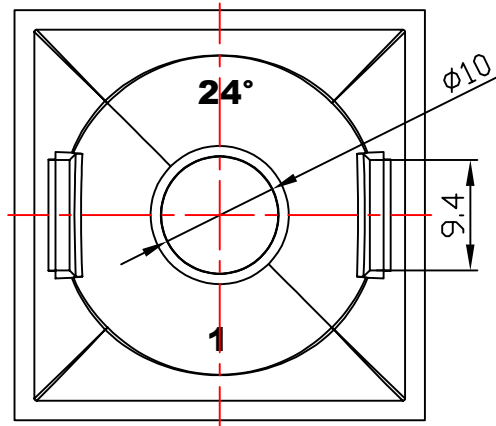
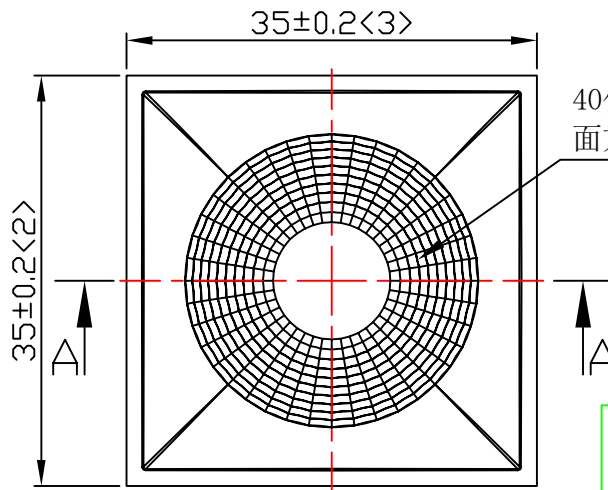


table for unmentioned tolerance in the drawing

(unit: mm)					
0-5	5-30	30-120	120-250	250-400	400-700
±0.15	±0.2	±0.5	±0.8	±1.5	±2

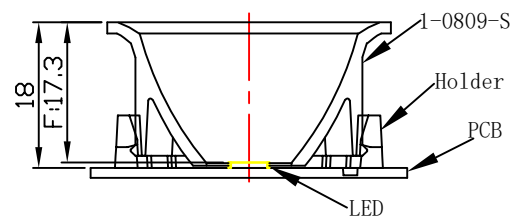


A-A



Light Source	LUMILEDS LUXEON 5050
PlasticHolder	92.70.208.00
Metal Adaptor	
Design Angle	20° -24° ±3°
Measured Angle	20.8°
Efficiency	

光学装配示意图



Material:PC

Nata[®]
NATA Lighting Co.,Ltd

△K4	1	修改产品高度尺寸,底部减胶0.3mm			Signature	Amended Date
Mark	Amended Times	Amended Content			Client Version	Proportion
Controll Version	AO	Design Version	K4		1:1	
Designer		Drawing by		View		
Technology		Auditor		Page	Total_ Page_	
Approval		Date	2019.08.30			

Customer Item	
Customer Code	NT
Product Number	
Product Name	1-0809-S