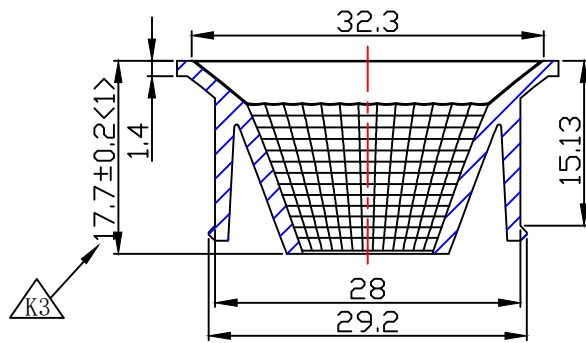
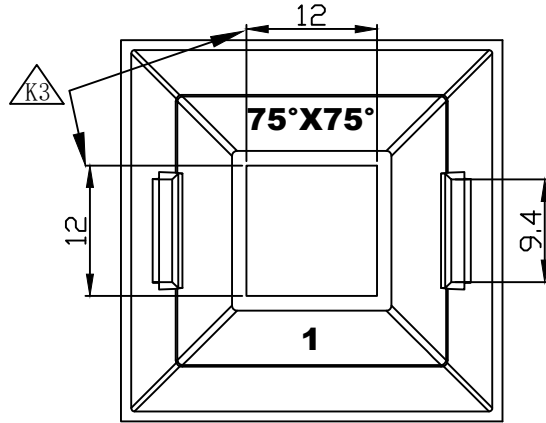
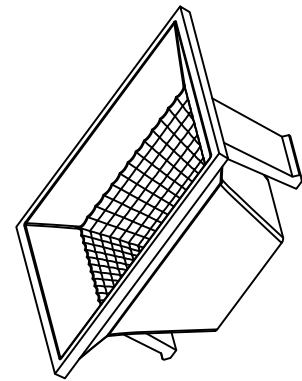
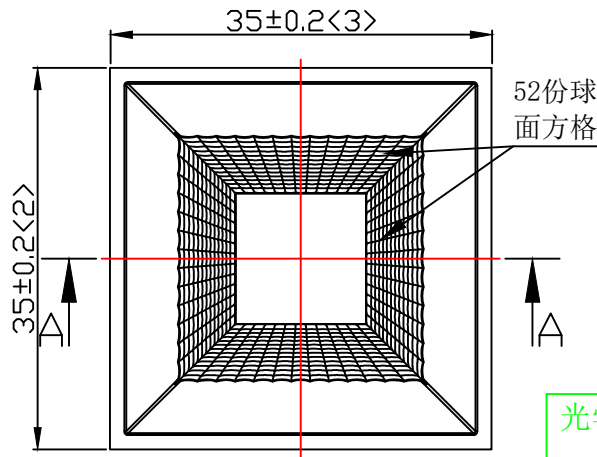


table for unmentioned tolerance in the drawing (unit: mm)					
0-5	5-30	30-120	120-250	250-400	400-700
±0.15	±0.2	±0.5	±0.8	±1.5	±2

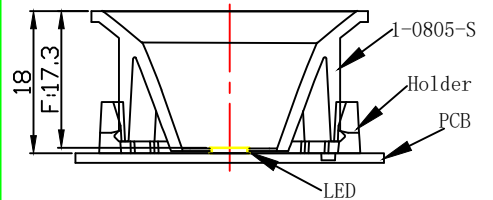


A-A



Light Source	LUMILEDS LUXEON 5050
PlasticHolder	92.70.208.00
Metal Adaptor	
Design Angle	75° *75° ±5°
Measured Angle	77.2° *77.2°
Efficiency	

光学装配示意图



Material:PC

Nata[®]
NATA Lighting Co.,Ltd

Mark	1	修改产品高度尺寸,底部减胶0.3mm		Signature	Amended Date	Customer Item	
Controll Version	A0	Design Version	K3	Client Version		Customer Code	NT
Designer		Drawing by		Proportion	1:1	Product Number	
Technology		Auditor		View		Product Name	1-0805-S
Approval		Date	2019.08.30	Page	Total_Page_		