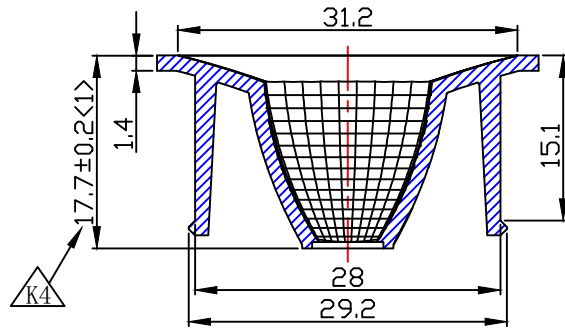
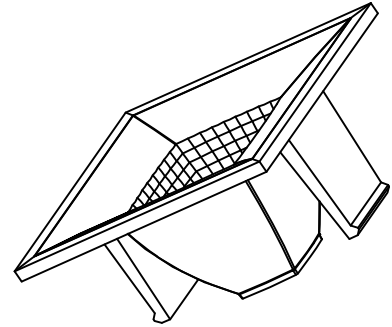
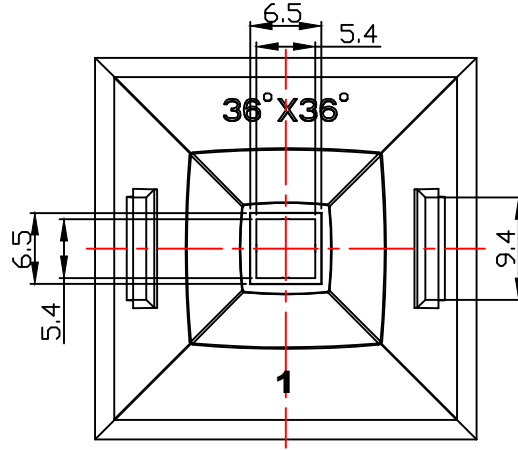
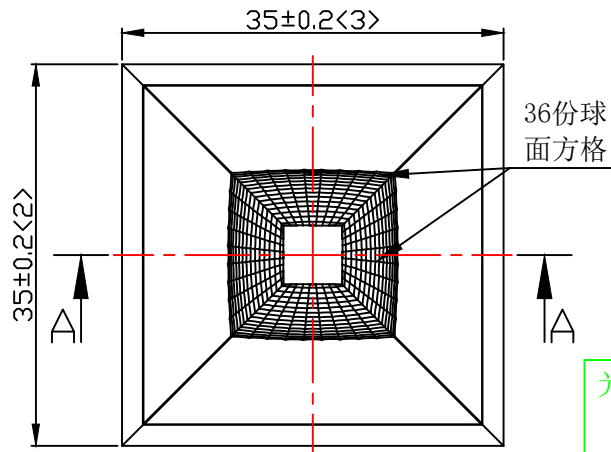


table for unmentioned tolerance in the drawing (unit: mm)					
0-5	5-30	30-120	120-250	250-400	400-700
±0.15	±0.2	±0.5	±0.8	±1.5	±2

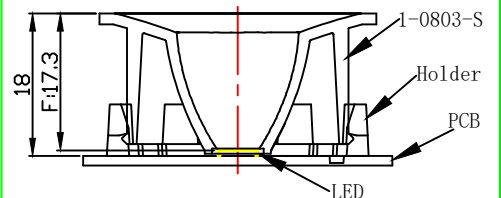


A-A



Light Source	LUMILEDS LUXEON 5050
PlasticHolder	92.70.208.00
Metal Adaptor	
Design Angle	36° *36° ±3°
Measured Angle	
Efficiency	

光学装配示意图



Material:PC

Nata[®]
NATA Lighting Co.,Ltd

△	1	修改产品高度尺寸,底部减胶0.3mm		Signature	Amended Date	Customer Item	
Mark	Amended Times	Amended Content		Client Version		Customer Code	NT
Controll Version	A0	Design Version	K4	Proportion	1:1	Product Number	
Designer		Drawing by		View		Product Name	1-0803-S
Technology		Auditor		Page	Total_Page_		
Approval		Date	2019.08.30				