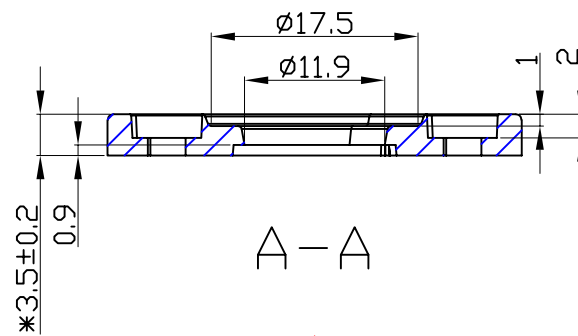
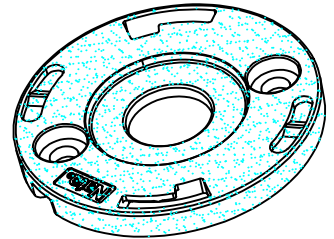
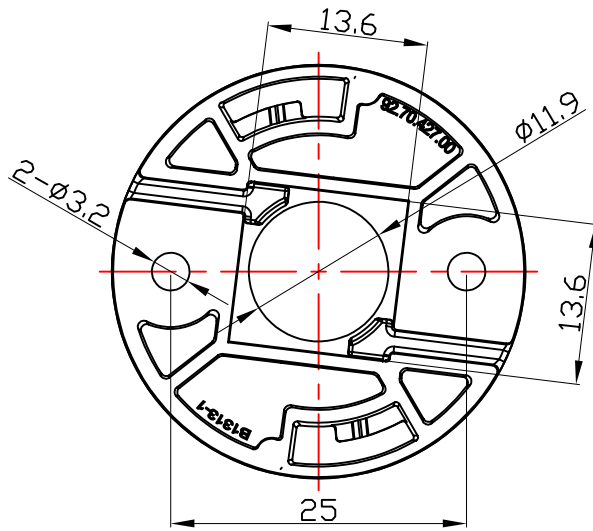


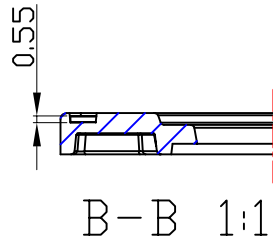
“*” MARK AS CRITICAL SIZE

UNDEFINED TOLERANCE REFER TO
GB/T14486-2008-MT6

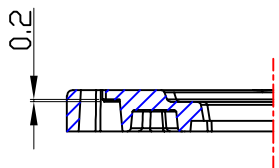
UNIT:MM



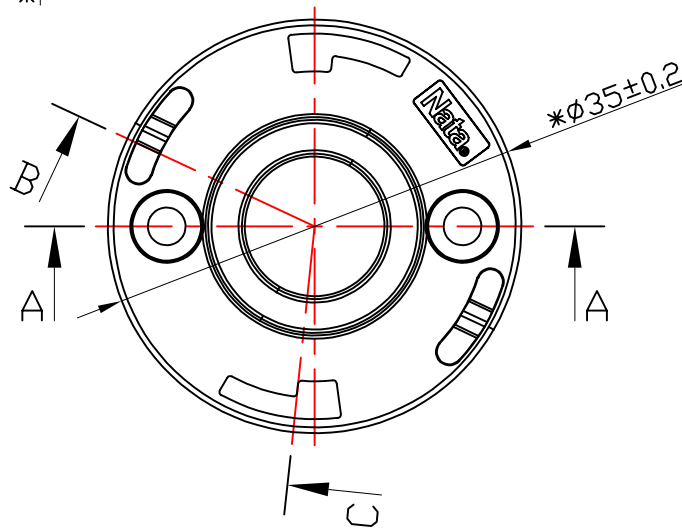
A-A



B-B 1:1



C-C 1:1



设计 DESIGNER	制图 DRAWN BY	审核 CHECKED BY	日期 DATE[DD-MM-YYYY]	15-04-2023	签名 SIGNED BY	更改日期 MODIF. DATE	比例 SCALE	1:1
工艺 TECHNICAN	批准 APPROVED BY	更改内容 MODIFICATIONS	标记 MARK	1	处数 NO. OF MODIF.	1	视角 1st ANGLE PROJECTION	

MATERIAL: PC FINISH: N/A		P/N: 92.70.427.00	版本/REV KO
产品名称 PRODUCT NAME	B1313-1-D35		
客户代号 CUSTOMER ID	NT		
客户编号 CUSTOMER CODE	B1313-1-D35支架		
ENGINEERING DRAWING		Nata®	