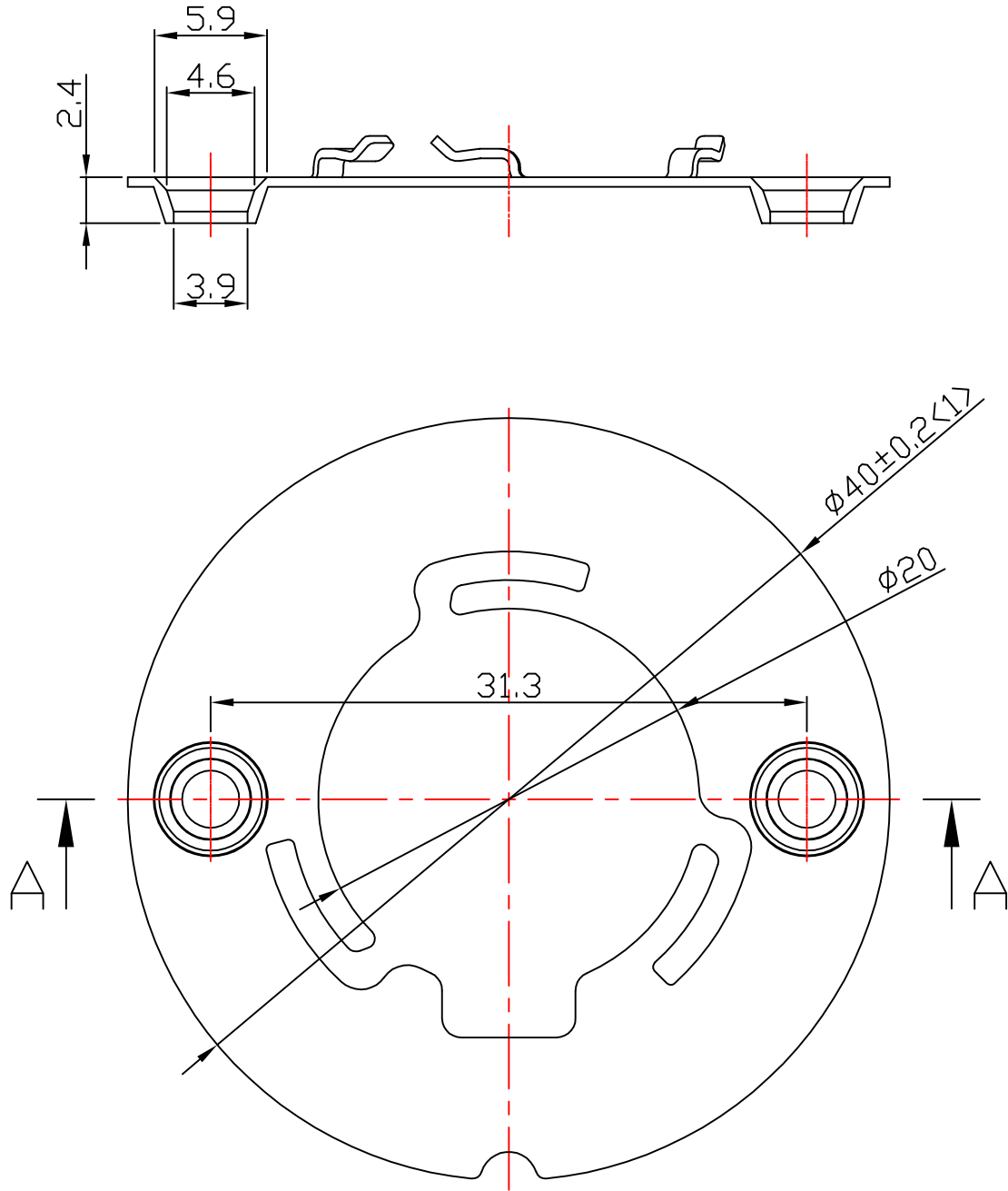


table for unmentioned tolerance in the drawing (unit: mm)			punch angle tolerance in the drawing (unit:degree)		
0-5	5-30	30-120	0-10	10-50	50-120
±0.15	±0.2	±0.5	±1°	±0.5°	±0.3°
120-250	250-400	400-700	120-250	250-360	360 above
±0.8	±1.5	±2	±0.2°	±0.166°	±0.083°



					Material:T=0.6 SS304					Nata[®] NATA Lighting Co.,Ltd				
												Customer Item		
Mark	Amended Times	Amended Content			Signature	Amended Date						Customer Code	NT	
Controll Version	AO	Design Version	K0	Client Version		Proportion	1:1						Product Number	92.76.374.00
Designer		Drawing by			View							Product Name	020374	
Technology		Auditor			Date	2019.05.15	Page	Total_Page_						
Approval														