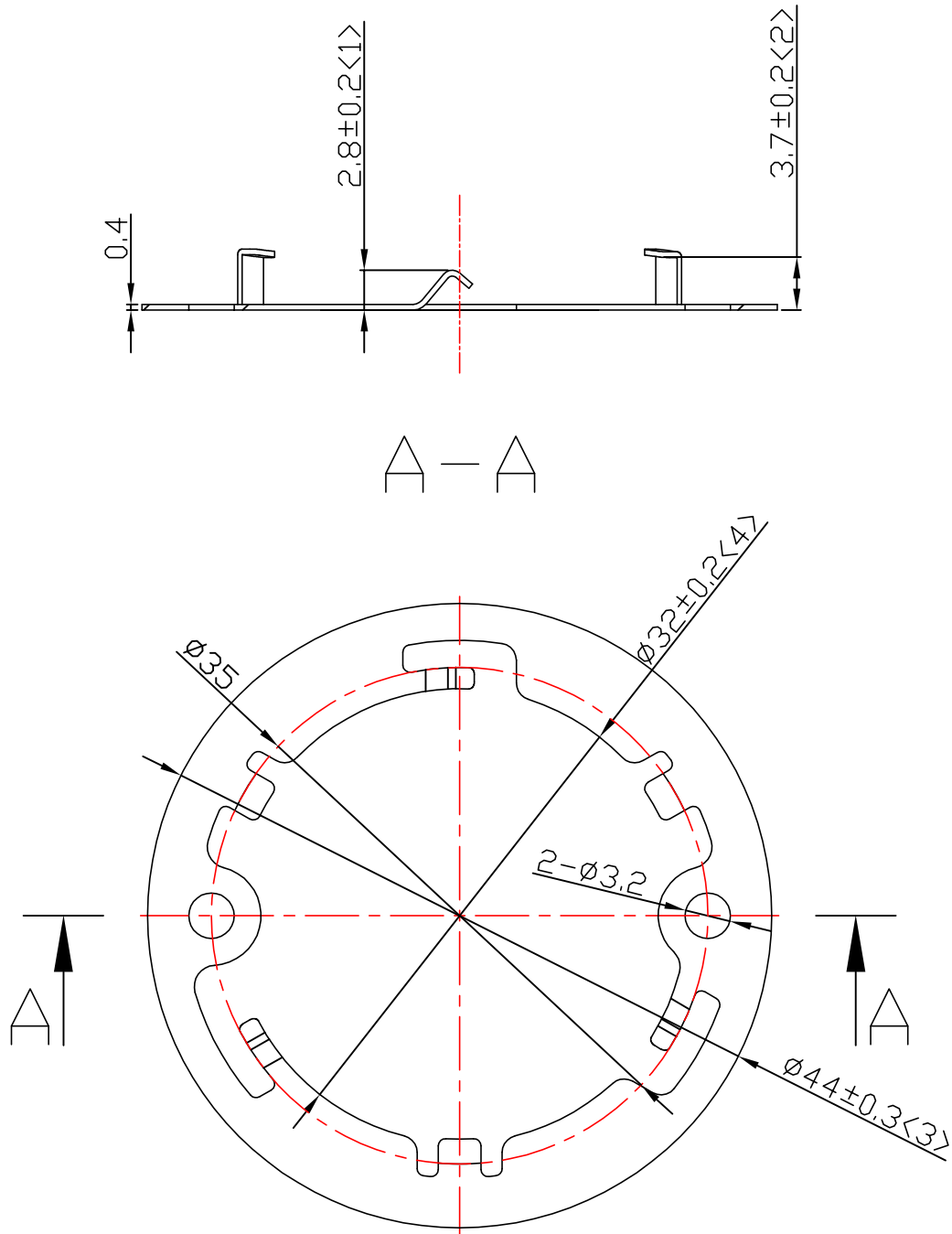


table for unmentioned tolerance in the drawing (unit: mm)			punch angle tolerance in the drawing (unit:degree)		
0-5	5-30	30-120	0-10	10-50	50-120
±0.15	±0.2	±0.5	±1°	±0.5°	±0.3°
120-250	250-400	400-700	120-250	250-360	360 above
±0.8	±1.5	±2	±0.2°	±0.166°	±0.083°



					Material:T=0.4 Semi-stainless Steel		<b>Nata®</b> <b>NATA Lighting Co.,Ltd</b>	
							Customer Item	
Mark	Amended Times	Amended Content		Signature	Amended Date	Customer Code		NT
Control Version	AO	Design Version	KO	Client Version		Product Number		92.76.365.00
Designer		Drawing by		Proportion	1:1	Product Name		D44不锈钢卡环020365
Technology		Auditor		View				
Approval		Date	2019.05.15	Page	Total_Page_			