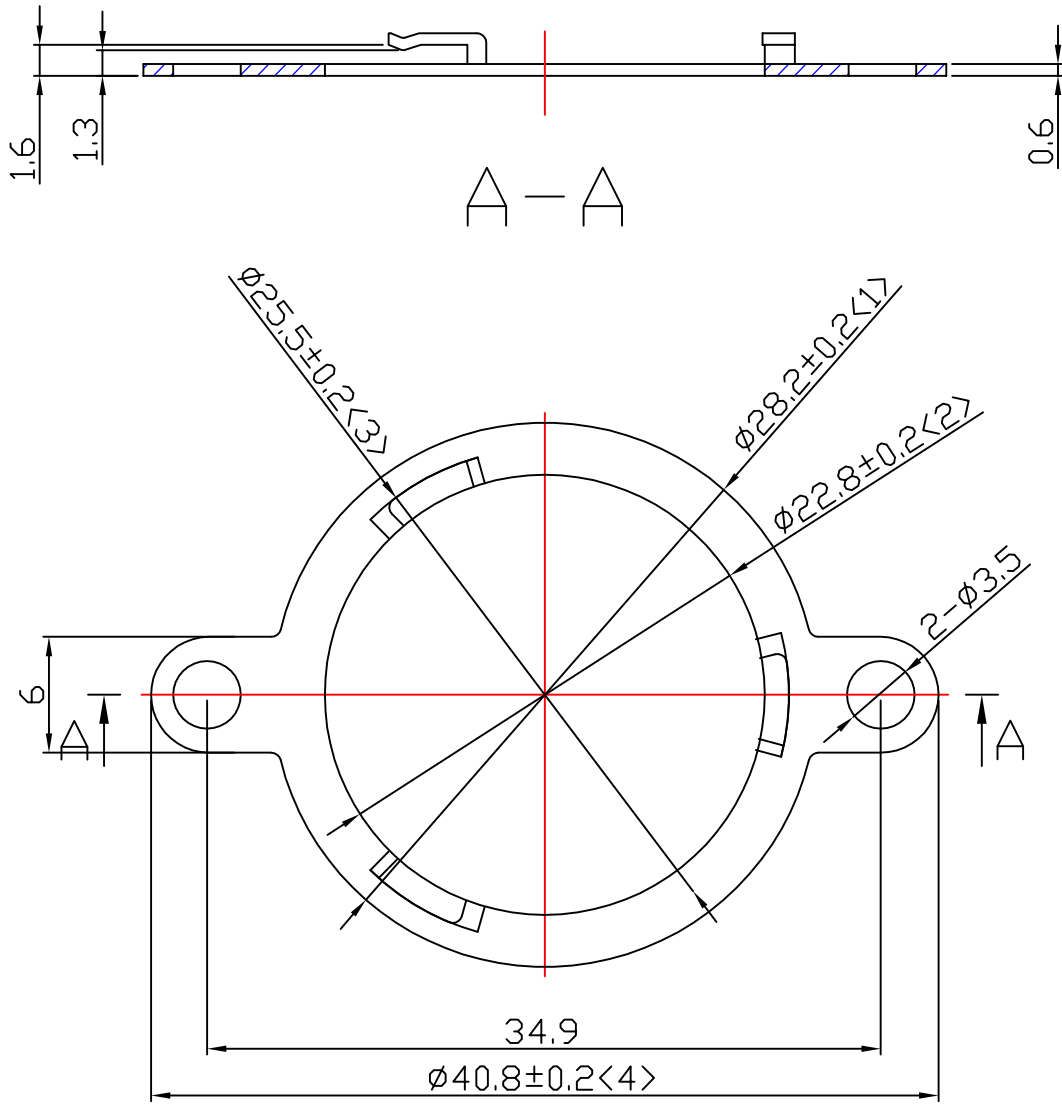


table for unmentioned tolerance in the drawing (unit: mm)			punch angle tolerance in the drawing (unit:degree)		
0-5	5-30	30-120	0-10	10-50	50-120
±0.15	±0.2	±0.5	±1°	±0.5°	±0.3°
120-250	250-400	400-700	120-250	250-360	360 above
±0.8	±1.5	±2	±0.2°	±0.166°	±0.083°



				Material:T=0.6 SS304				<b>Nata®</b> <b>NATA Lighting Co.,Ltd</b>	
								Customer Item	
								Customer Code	NT
								Product Number	92.76.233.00
								Product Name	020233
Mark	Amended Times	Amended Content		Signature	Amended Date				
Control Version	A0	Design Version	K0	Client Version					
Designer	Drawing by		Proportion	1:1					
Technology	Auditor		View						
Approval	Date		2019.05.15	Page	Total Page				