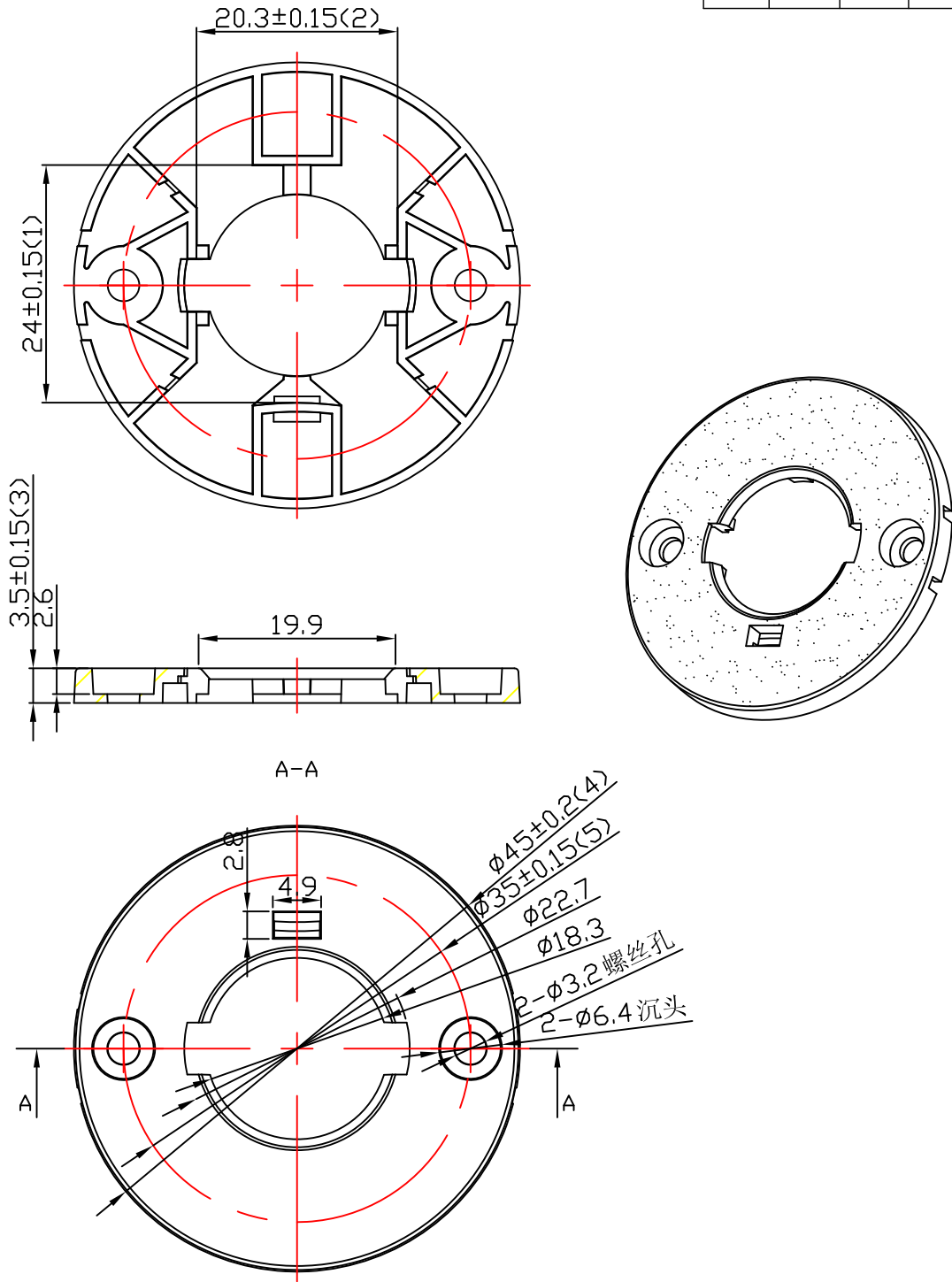


table for unmentioned tolerance in the drawing (unit: mm)					
0-5	5-30	30-120	120-250	250-400	400-700
±0.15	±0.2	±0.5	±0.8	±1.5	±2



Mark	Amended Times	Amended Content	Signature	Amended Date
Control Version	A0	Design Version	K0	Client Version
Designer		Drawing by		Proportion
Technology		Auditor		View
Approval		Date	2019. 11. 04	Page
				Total Page

Material:PC

Nata[®]
NATA Lighting Co.,Ltd

Customer Item D45*H3.5 支架-L15

Customer Code NT

Product Number 92.70.257.00

Product Name