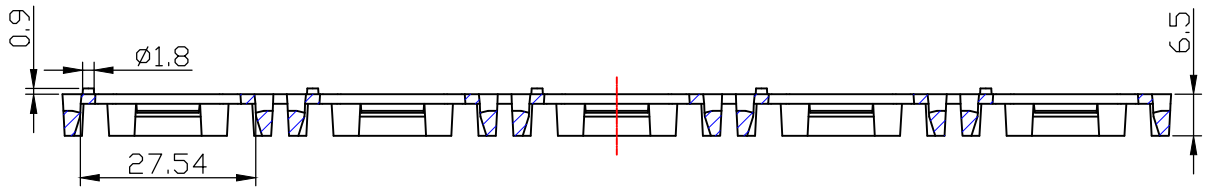
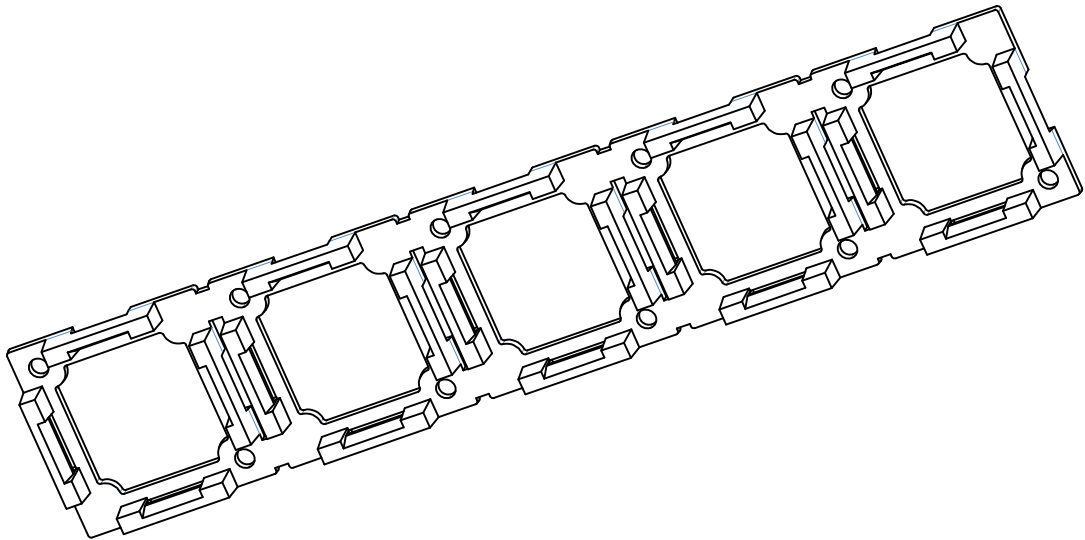
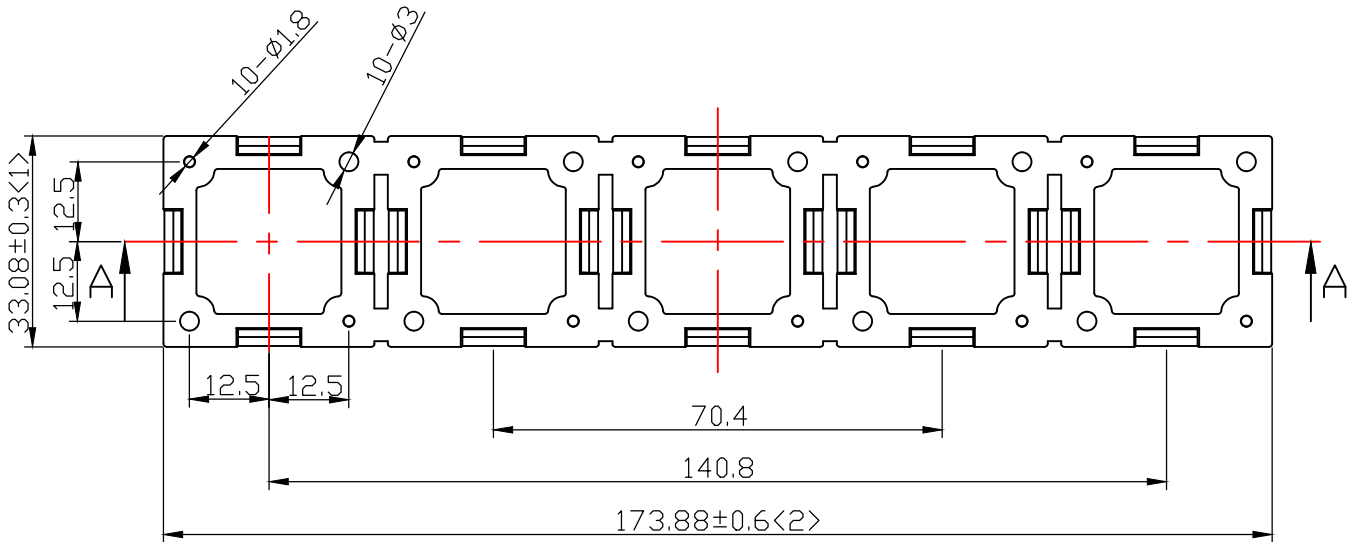


table for unmentioned tolerance in the drawing (unit: mm)					
0-5	5-30	30-120	120-250	250-400	400-700
±0.15	±0.2	±0.5	±0.8	±1.5	±2



A-A



					Material:PC		Nata[®] NATA Lighting Co.,Ltd	
							Customer Item	
							Customer Code	NT
							Product Number	92. 70. 220. 00
							Product Name	阵列反射器支架 (5合1) D33. 08*173. 88*H6. 5
Mark	Amended Times	Amended Content		Signature	Amended Date			
Control Version	A0	Design Version	K0	Client Version				
Designer		Drawing by		Proportion	1:1			
Technology		Auditor		View				
Approval		Date	2019. 05. 21	Page	Total Page_			