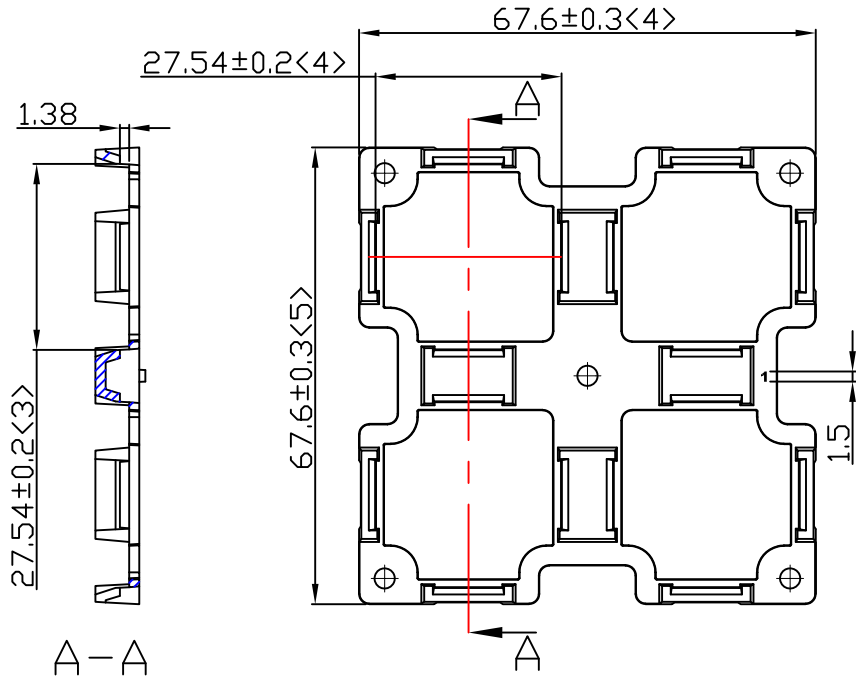
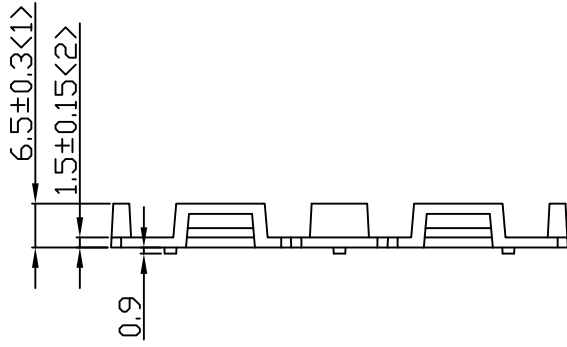
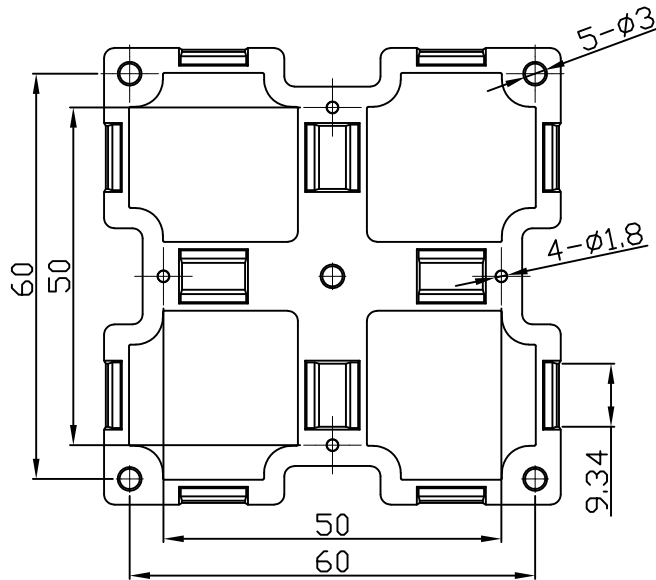
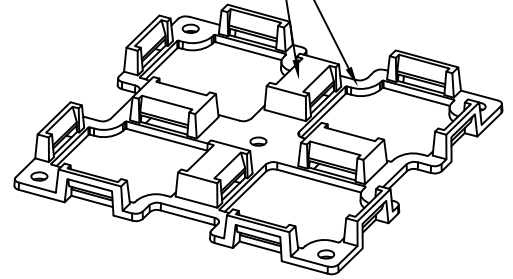


table for unmentioned tolerance in the drawing (unit: mm)					
0-5	5-30	30-120	120-250	250-400	400-700
±0.15	±0.2	±0.5	±0.8	±1.5	±2



正面的所有平面
(非垂直侧面)做
喷砂处理(砂纹
效果按样板)



					Material:PC		Nata [®] NATA Lighting Co.,Ltd	
							Customer Item	
							Customer Code	NT
							Product Number	92.70.218.00
							Product Name	阵列反射器支架(4合1) D67.5*H6.5
Mark	Amended Times	Amended Content		Signature	Amended Date			
Control Version	A0	Design Version	K0	Client Version				
Designer		Drawing by		Proportion	1:1			
Technology		Auditor		View				
Approval		Date	2019.05.21	Page	Total_ Page_			