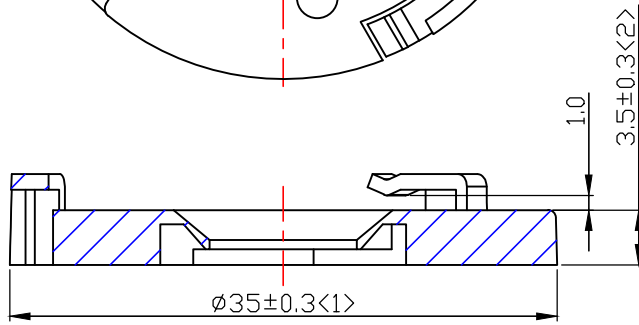
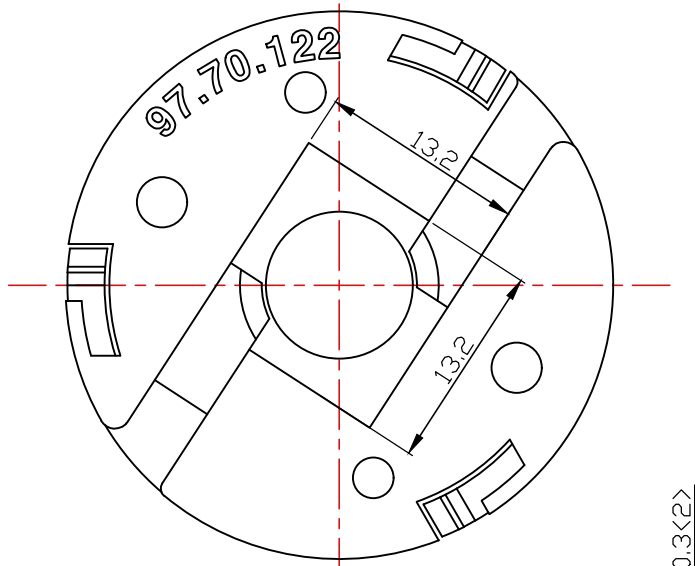
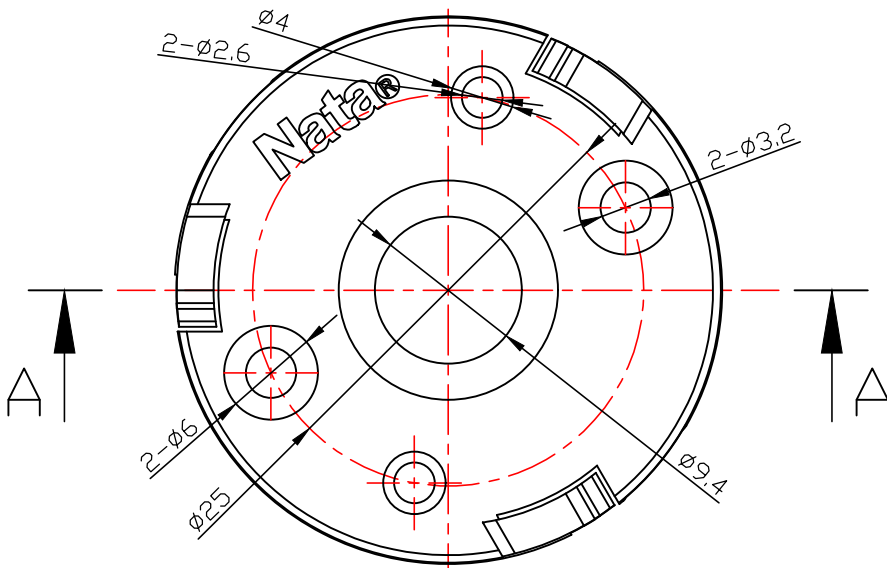
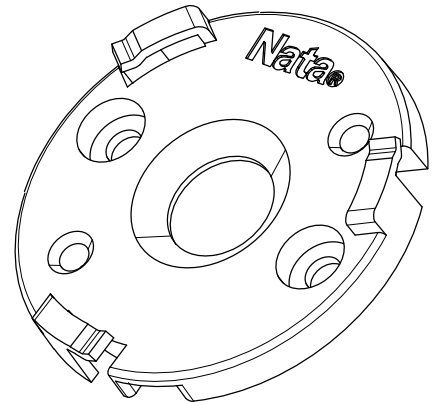


table for unmentioned tolerance in the drawing (unit: mm)					
0-5	5-30	30-120	120-250	250-400	400-700
±0.15	±0.2	±0.5	±0.8	±1.5	±2



A-A



				Material:PC		Nata® NATA Lighting Co.,Ltd	
						Customer Item	
						Customer Code	NT
						Product Number	92.70.122.00
						Product Name	CXM-7支架 35x3.5
Mark	Amended Times	Amended Content		Signature	Amended Date		
Control Version	A0	Design Version	K0	Client Version			
Designer		Drawing by		Proportion	1:1		
Technology		Auditor		View			
Approval		Date	2019.06.21	Page	Total Page		