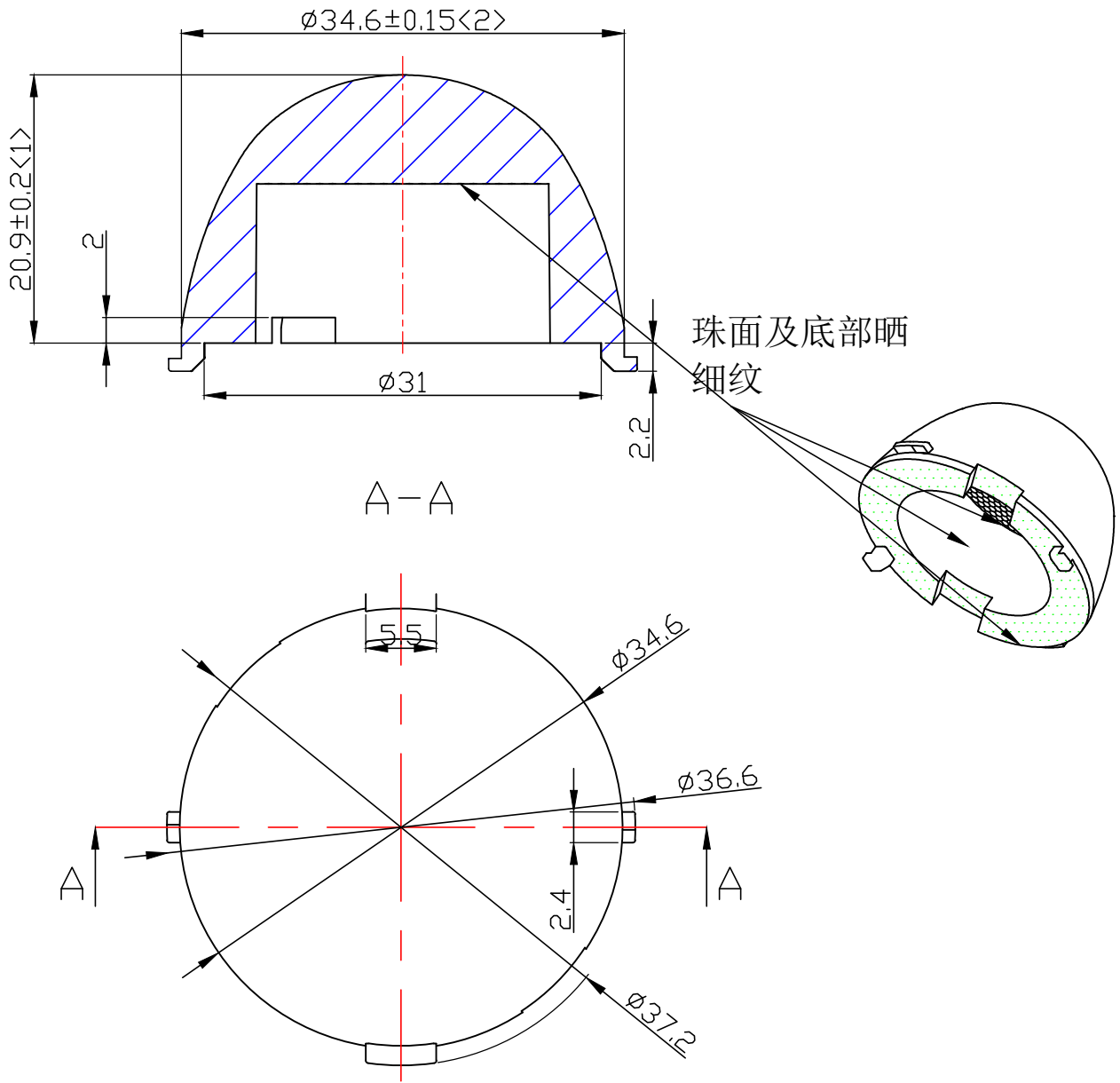


table for unmentioned tolerance in the drawing (unit: mm)					
0-5	5-30	30-120	120-250	250-400	400-700
±0.15	±0.2	±0.5	±0.8	±1.5	±2



					Material:PC		<b>Nata<sup>®</sup></b> <b>NATA Lighting Co.,Ltd</b>	
							Customer Item	
							Customer Code	NT
							Product Number	92.70.061.00
							Product Name	D92导光柱D37.2*H23
Mark	Amended Times	Amended Content		Signature	Amended Date			
Control Version	A0	Design Version	K1	Client Version				
Designer		Drawing by		Proportion	1:1			
Technology		Auditor		View				
Approval		Date	2018.06.05	Page	Total Page			