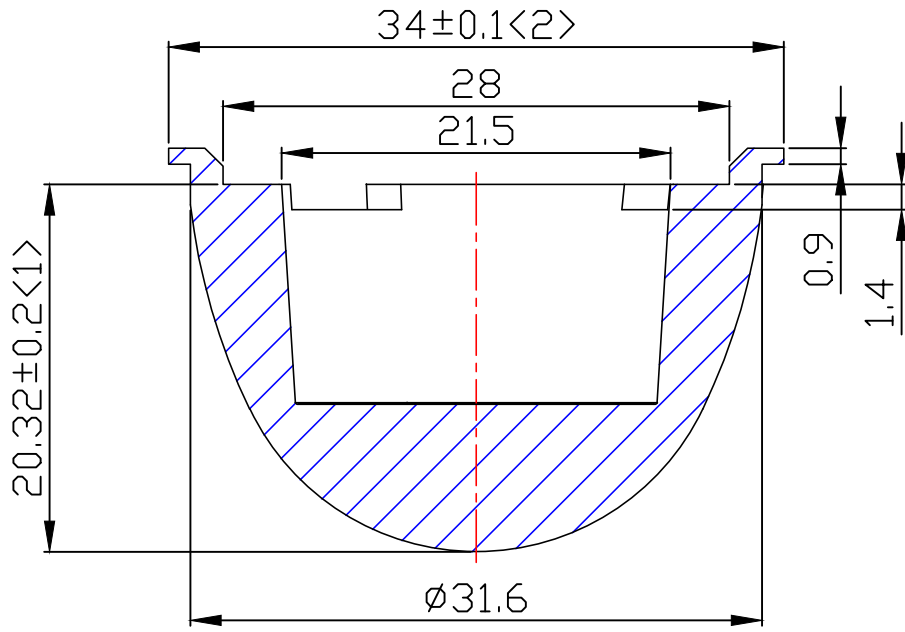
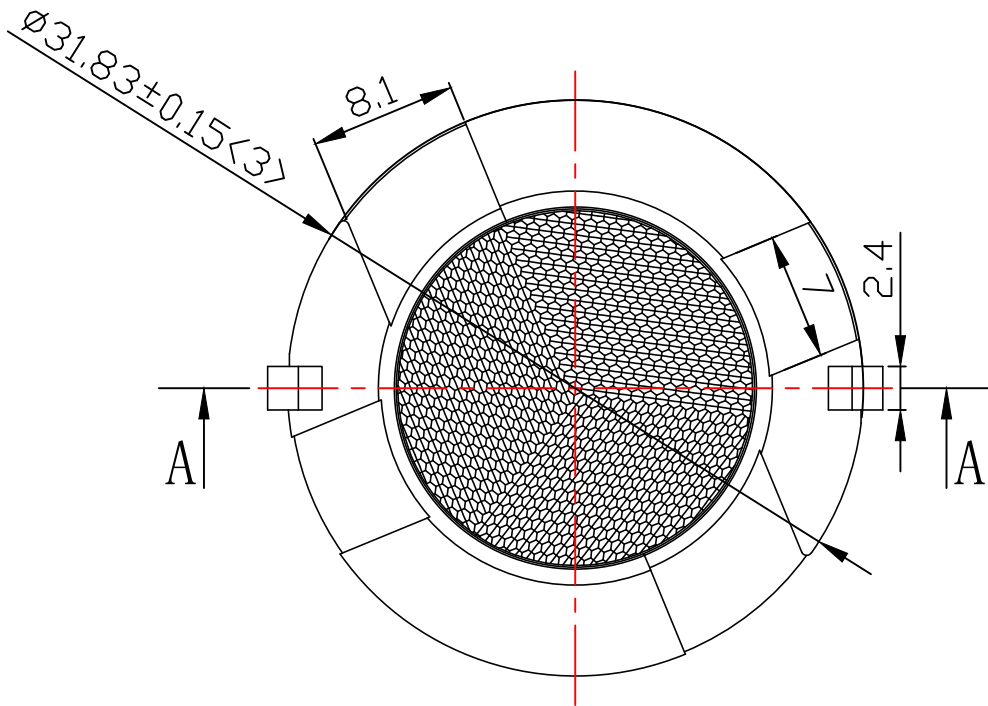


| table for unmentioned tolerance in the drawing<br>(unit: mm) |      |        |         |         |         |
|--|------|--------|---------|---------|---------|
| 0-5  | 5-30 | 30-120 | 120-250 | 250-400 | 400-700 |
| ±0.15  | ±0.2 | ±0.5   | ±0.8    | ±1.5    | ±2      |



A-A



|                  |               |                 |            |                |            |              |                                      |                  |  |
|------------------|---------------|-----------------|------------|----------------|------------|--------------|--------------------------------------|------------------|--|
|                  |               |                 |            |                |            | Material:PC  | <b>Nata</b><br>NATA Lighting Co.,Ltd |                  |  |
|                  |               |                 |            |                |            |              | Customer Item                        |                  |  |
|                  |               |                 |            |                |            |              | Customer Code                        | NT               |  |
|                  |               |                 |            |                |            |              | Product Number                       | 92.70.060.00     |  |
|                  |               |                 |            |                |            |              | Product Name                         | D34*22.3 PC透明导光柱 |  |
| Mark             | Amended Times | Amended Content |            |                | Signature  | Amended Date |                                      |                  |  |
| Controll Version | A4            | Design Version  | K1         | Client Version |            |              |                                      |                  |  |
| Designer         |               | Drawing by      |            | Proportion     | 1:1        |              |                                      |                  |  |
| Technology       |               | Auditor         |            | View           |            |              |                                      |                  |  |
| Approval         |               | Date            | 2019.03.27 | Page           | Total Page |              |                                      |                  |  |