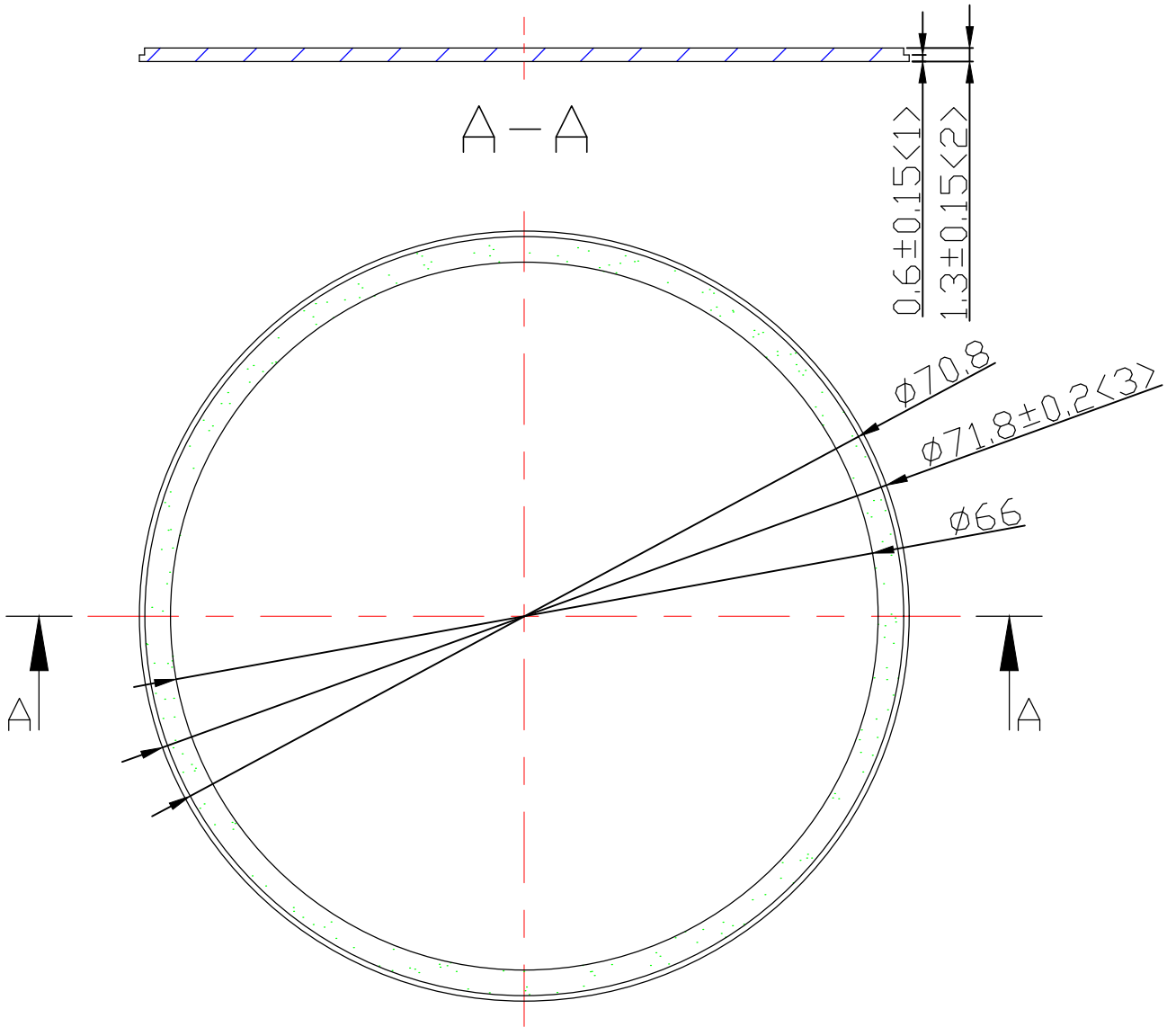


table for unmentioned tolerance in the drawing (unit: mm)					
0-5	5-30	30-120	120-250	250-400	400-700
±0.15	±0.2	±0.5	±0.8	±1.5	±2



										Material:PC	<b>Nata<sup>®</sup></b> <b>NATA Lighting Co.,Ltd</b>
											Customer Item
											Customer Code
											NT
											Product Number
											92. 70. 058. 00
											Product Name
											OD71. 8*H1. 3防尘片
Mark	Amended Times	Amended Content			Signature	Amended Date					
Control Version	A0	Design Version	K0	Client Version							
Designer		Drawing by		Proportion	1:1						
Technology		Auditor		View							
Approval		Date	2018. 05. 08	Page	Total_ Page_						