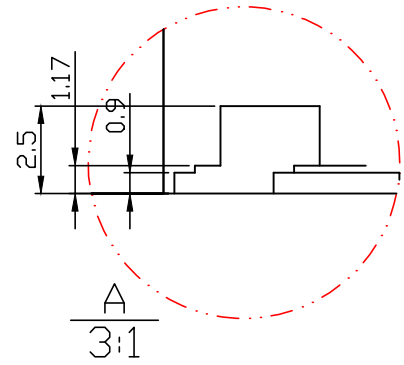
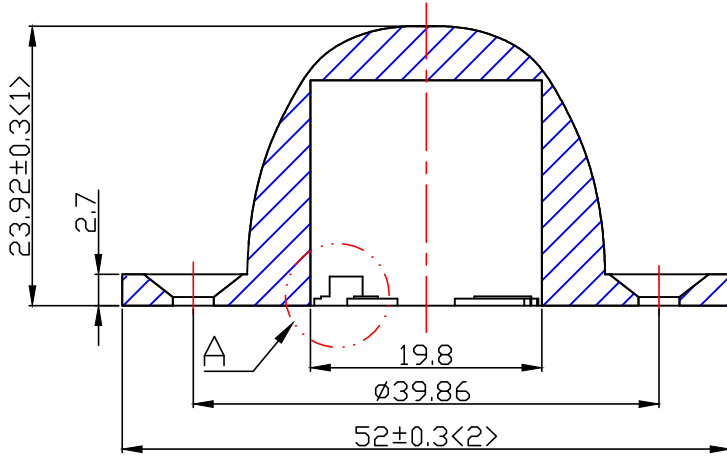
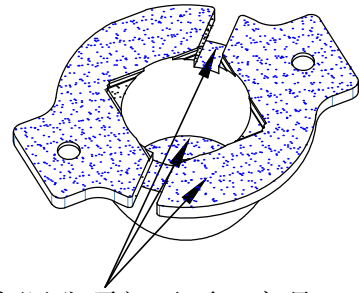
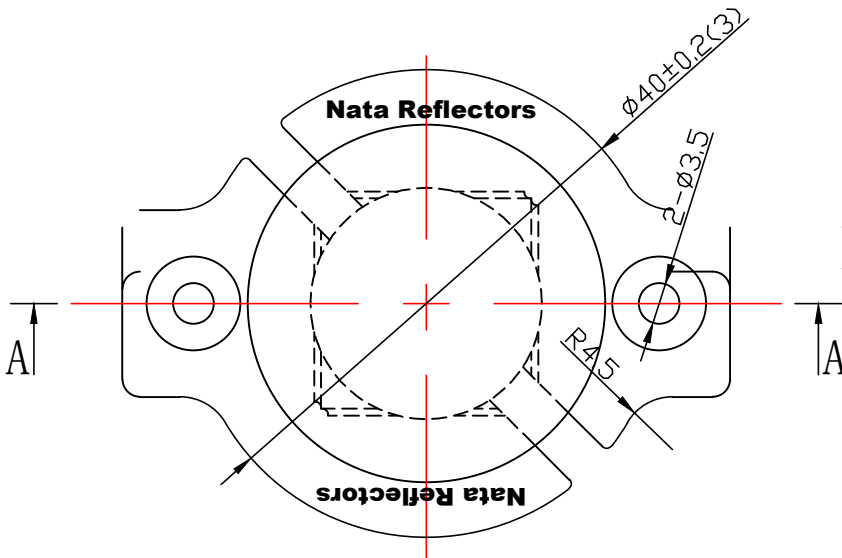


table for unmentioned tolerance in the drawing (unit: mm)					
0-5	5-30	30-120	120-250	250-400	400-700
±0.15	±0.2	±0.5	±0.8	±1.5	±2



A-A



光源孔顶部平面、产品
底部平面、通风槽晒纹

				Material:PC		Nata [®] NATA Lighting Co.,Ltd	
						Customer Item	
						Customer Code	NT
						Product Number	92.70.040.00
						Product Name	CREE 1830 导光柱
Mark	Amended Times	Amended Content		Signature	Amended Date		
Controll Version	A4	Design Version	K0	Client Version			
Designer		Drawing by		Proportion	1:1		
Technology		Auditor		View			
Approval		Date	2019.03.29	Page	Total_Page_		