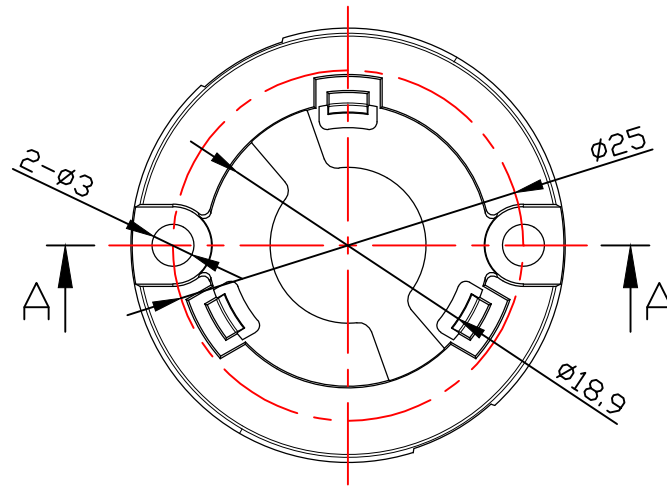
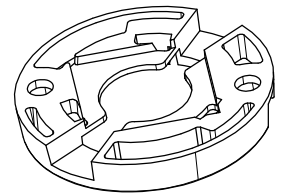
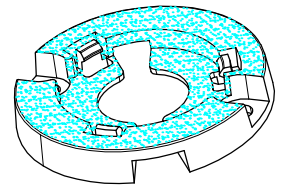
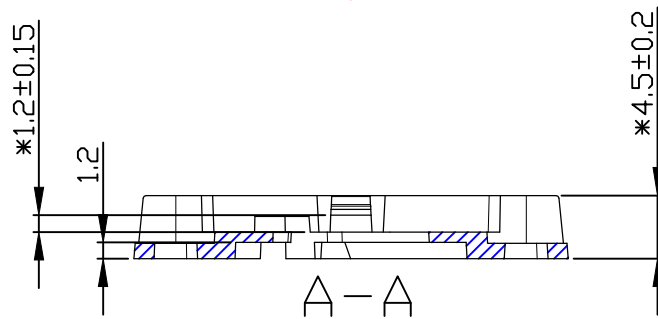
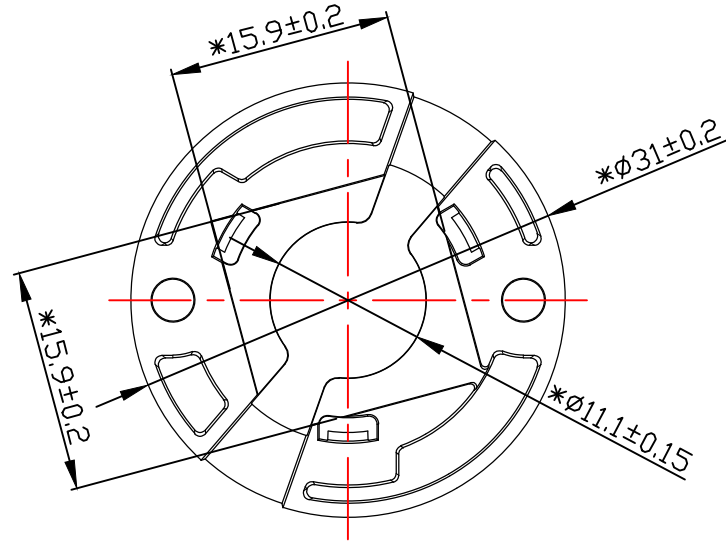


Dimensions in "*" are critical size
 Undefined tolerances according to GB/T14486-2008-MT6
 (单位: mm)



Technical requirements:
 1. Material :PC
 2. Press 3D for product without fillet and die drawing Angle.
 3. Non dimensioned measures refer to GB/ t14486-2008 MT5 standard.

| | | | | | | | |
|------------------|---------------------|-------------------------|-----------|------------------|-----------------------|---|--------------|
| | | | | | P/N: 92.70.361.00 | | 版本/REV K0 |
| | | | | | 产品名称 Product Name | DV反光杯系列 1507支架 | |
| | | | | | 客户代号 Customer Code | NT | |
| | | | | | 客户编号 Customer Item | | |
| 标记 Mark | 处数 Amended Times | 更改内容 Amended Content | | 签名 Signature | 更改日期 Amended Date | 方案图 Engineering drawings 图档路径 The path of file | |
| 设计 Designer | | 制图 Drawing by | | 比例 Proportion | 1:1 | | |
| 工艺 Technology | | 审核 Auditor | | 视角 View | | | |
| 批准 Approval | | 日期 Date | 2022.5.24 | 页数 Page | 共1页 第1页 | | |
| | | | | | | | |