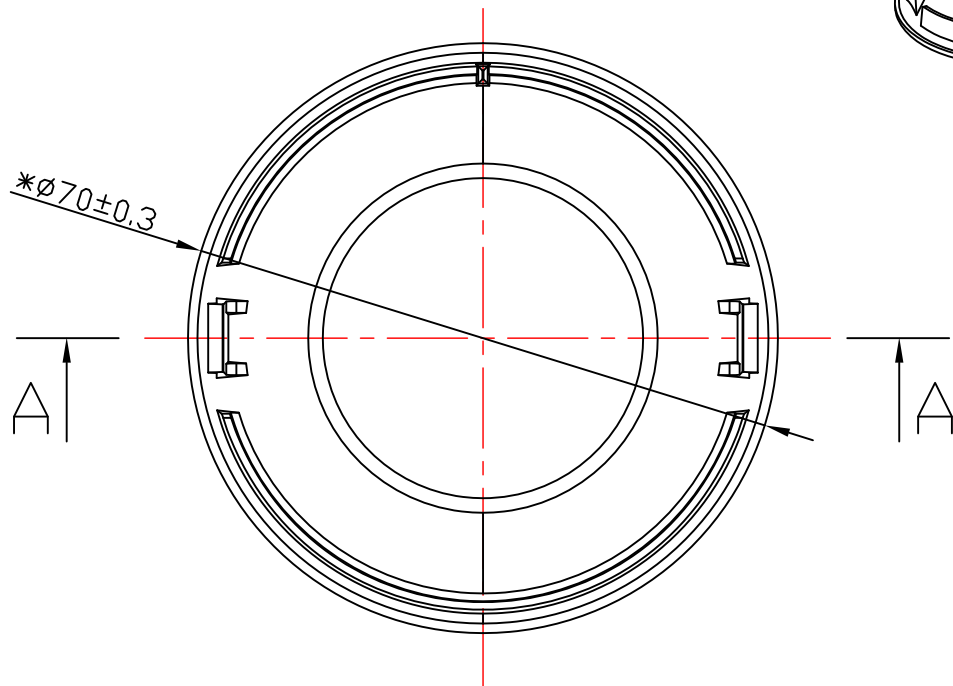
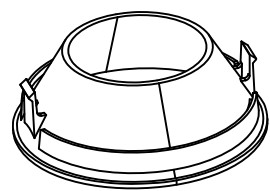
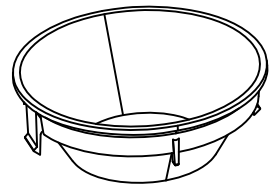
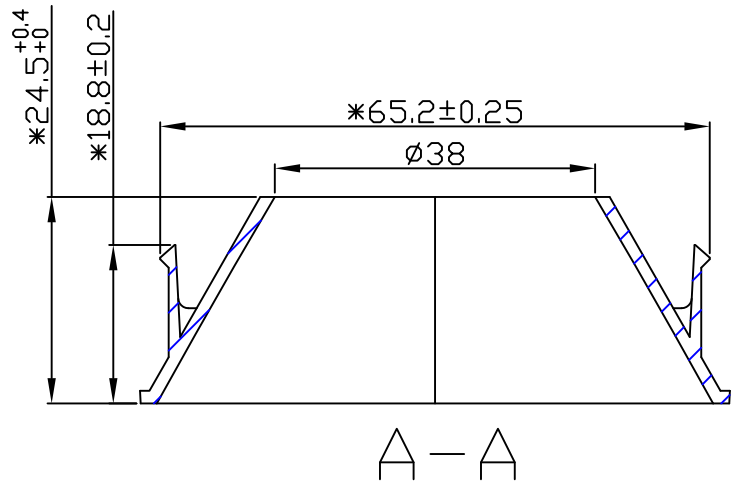


Dimensions in "*" are critical size
 Undefined tolerances according to GB/T14486-2008-MT6
 (单位: mm)



Technical requirements:
 1. Material :PC
 2. Surface treatment: Glossy Aluminum
 3. Press 3D for product without fillet and die drawing Angle.
 4. Non dimensioned measures refer to GB/ t14486-2008 MT5 standard.

				P/N: 91.02.2225.000		版本/REV K0	
				产品名称 Product Name		2-2225-S	
				客户代号 Customer Code		NT	
				客户编号 Customer Item		D70圆形防眩罩直口	
标记 Mark	处数 Amended Times	更改内容 Amended Content		签名 Signature	更改日期 Amended Date	方案图 Engineering drawings	
设计 Designer		制图 Drawing by		比例 Proportion	1:1		
工艺 Technology		审核 Auditor		视角 View		图档路径 The path of file	
批准 Approval		日期 Date	2022.5.20	页数 Page	共1页 第1页		

