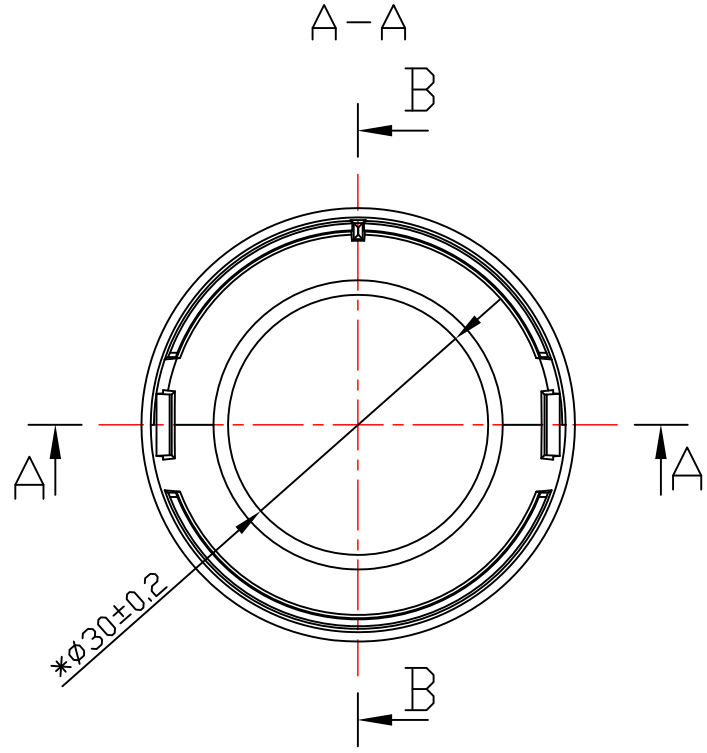
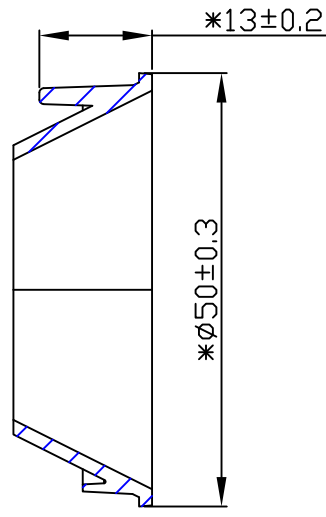
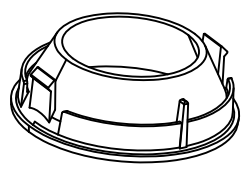
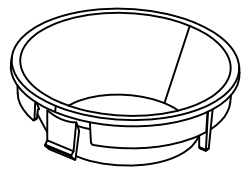
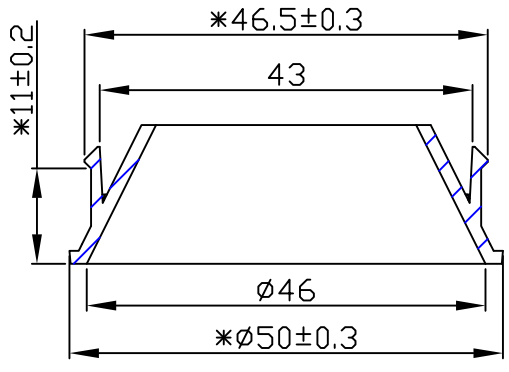


Dimensions in "*" are critical size
 Undefined tolerances according to GB/T14486-2008-MT6
 (单位: mm)



Technical requirements:
 1. Material :PC
 2. Surface treatment: Glossy Aluminum
 3. Press 3D for product without fillet and die drawing Angle.
 4. Non dimensioned measures refer to GB/ t14486-2008 MT5 standard.

				P/N: 91.01.1049.000				版本/REV K0	
				产品名称 Product Name				1-1049-S	
				客户代号 Customer Code				NT	
				客户编号 Customer Item				D50圆形防眩罩直口	
标记 Mark	处数 Amended Times	更改内容 Amended Content		签名 Signature	更改日期 Amended Date	方案图 Engineering drawings		图档路径 The path of file	
设计 Designer		制图 Drawing by		比例 Proportion	1:1				
工艺 Technology		审核 Auditor		视角 View					
批准 Approval		日期 Date	2022. 5. 20	页数 Page	共1页 第1页				

