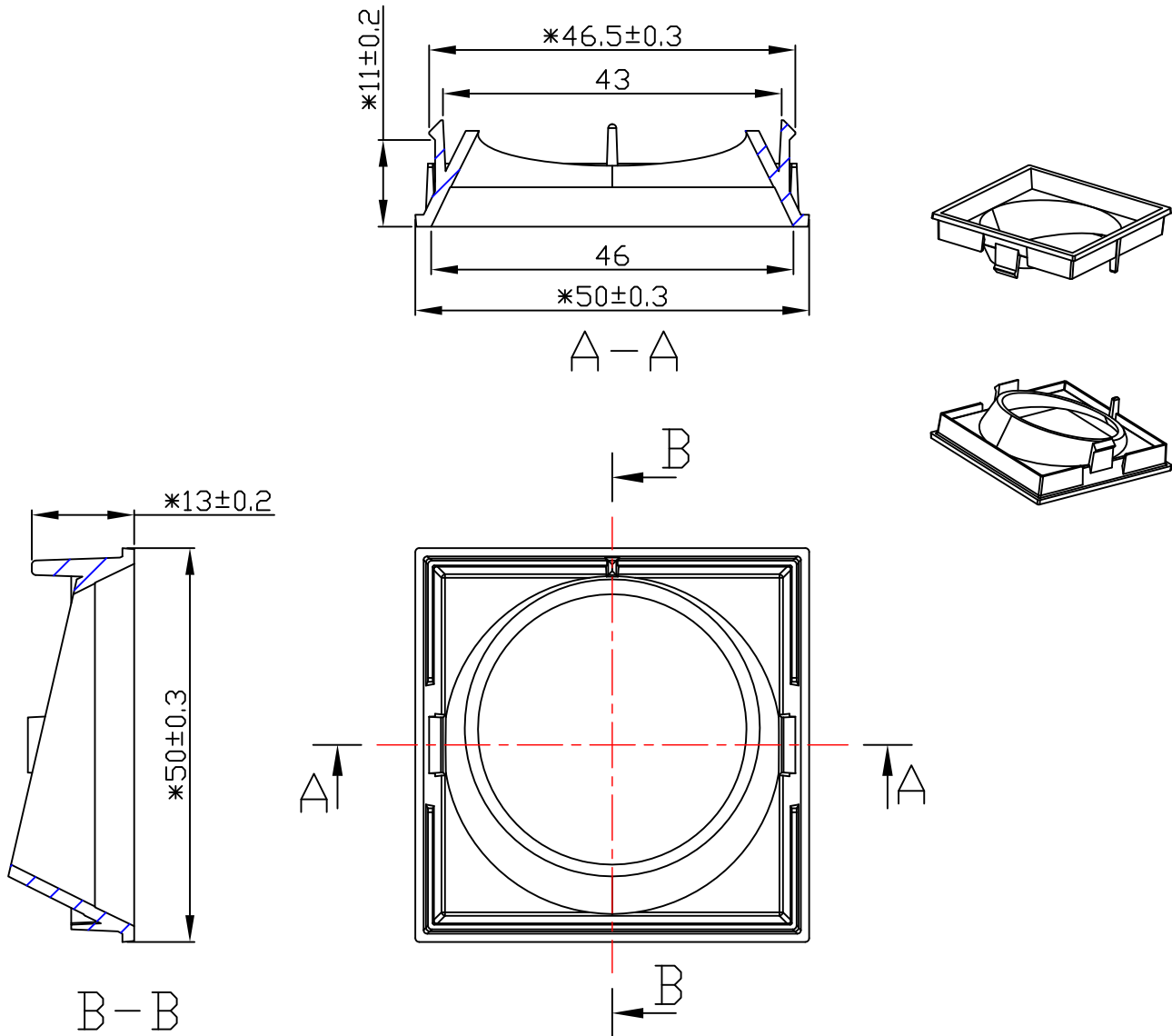


Dimensions in "*" are critical size
 Undefined tolerances according to GB/T14486-2008-MT6
 (单位: mm)



Technical requirements:
 1. Material :PC
 2. Surface treatment: Glossy Aluminum
 3. Press 3D for product without fillet and die drawing Angle.
 4. Non dimensioned measures refer to GB/ t14486-2008 MT5 standard.

| | | | | | | | | |
|------------|---------------|-----------------|-----------|---------------|--------------|----------------------|--|------------|
| | | | | P/N: | | 91.01.1048.000 | | 版本/REV |
| | | | | | | | | K0 |
| | | | | 产品名称 | | 1-1048-S | | |
| | | | | Product Name | | | | |
| | | | | 客户代号 | | NT | | |
| | | | | Customer Code | | | | |
| | | | | 客户编号 | | D50方形防眩罩斜口 | | |
| | | | | Customer Item | | | | |
| 标记 | 处数 | 更改内容 | | 签名 | 更改日期 | 方案图 | | 客户编号 |
| Mark | Amended Times | Amended Content | | Signature | Amended Date | | | |
| 设计 | | 制图 | | 比例 | 1:1 | Engineering drawings | | D50方形防眩罩斜口 |
| Designer | | Drawing by | | Proportion | | | | |
| 工艺 | | 审核 | | 视角 | | 图档路径 | | Nata® |
| Technology | | Auditor | | View | | | | |
| 批准 | | 日期 | 2022.5.20 | 页数 | 共1页 第1页 | | | |
| Approval | | Date | | Page | | The path of file | | |